

LITEDIMMERTM+ PLUS AC400

MODEL - LITEDIMMER+ PLUS AC400 DMX DIMMING SYSTEM FOR CINEMA, TV, AND VIDEO



LITEDIMMER+ PLUS AC400 DMX is the ideal companion for powering LiteMat+ Plus and LiteTile+ Plus units up to 400 watts. Its rugged housing includes several mounting options along with four 1/4-20 threaded inserts for attaching clamps, making it suitable for overhead setups. Locking connections provide AC input and DC output along with DMX pass-through. The unit operates all "Plus+Compatible" Hybrid fixtures up to 400W. The internal electronics include genuine LiteDimmer hardware known for smooth low end dimming, flicker-free operation, and rock solid reliability. Simple manual control is provided through the backlit display along with access to DMX settings.

DIMMER MODEL

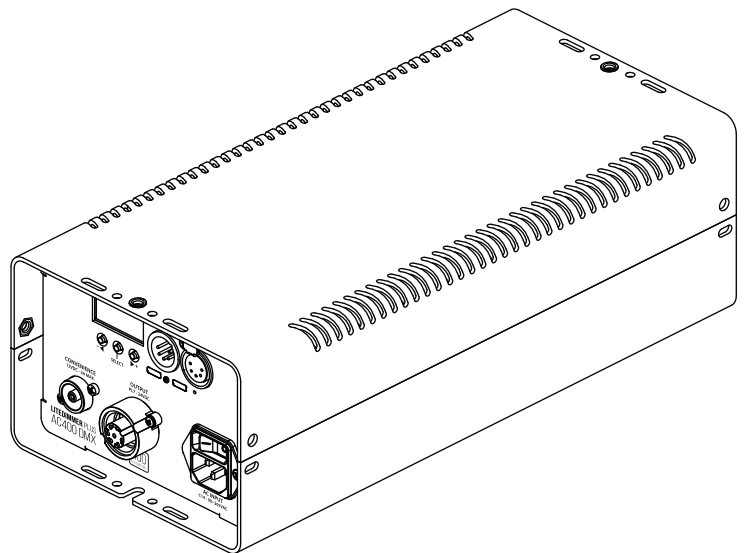
LiteDimmer+ Plus AC400 Unit DMX (LD-PLUS-AC400-DMX)

SPECIFICATIONS (IMPERIAL/METRIC)

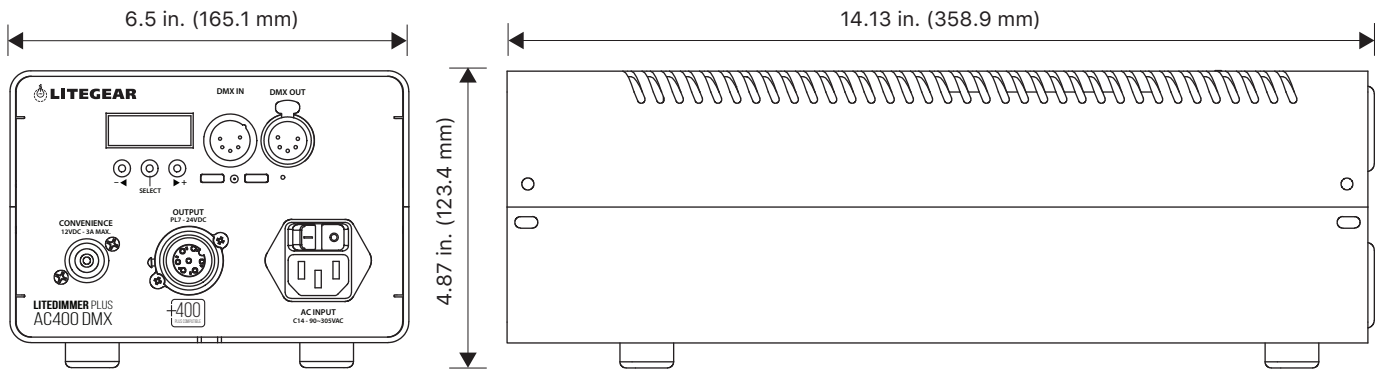
POWER RATING	400W
VOLTAGE INPUT	100 to 240VAC, 50/60 Hz (C14 Connector)
VOLTAGE OUTPUT	24VDC Constant Voltage, PWM (PL7 Connector)
DATA PROTOCOL	DMX512
DIMMING RANGE.....	0 to 100% Continuous, Flicker-Free
CONTROLS	On-Board "ON-OFF" Switch 5-Pin DMX In and Pass Thru Local Manual Control
SOFTWARE INTERFACE	Proprietary Connector, Service Center Upgradeable
MOUNTING	(4) 1/4-20 Threaded Inserts Drywall Screw Holes Velcro®/Cable Tie Slots Rubber Feet Paracord Lanyard
AMBIENT TEMP. OPERATION	-10° to +50° C (14° to 122° F)
IP RATING.....	IP20
PROTECTION	Over-Current, Over-Voltage, Over-Temperature, Short Circuit. Unit will shut down and recover automatically after fault condition is removed.
SETTINGS.....	Smoothing DMX Bit Rate Dimmer Response
MODES	Local (HY 1 and HY 2) DMX (HY 1 and HY 2)
CONVENIENCE OUTLET.....	12VDC, 3A Max. (2.1 X 5.5 Barrel)

OPTIONAL ACCESSORIES

- PL7 Extension, 12 Feet (CA-PL7-EXT-12)
- PL7 Extension, 24 Feet (CA-PL7-EXT-24)
- PL7 TwoFer (CA-PL7.M-PL7.F.2)
- AC Cable, 5-15P to C13, 6 Feet - US (CA-15P-C13-LOCK-6F)
- AC Cable, BS 1363 to C13, 6 Feet - UK (CA-UK-C13-6)
- AC Cable, Europlug to C13, 6 Feet - EU (CA-EURO-C13-6)
- DMX Cable, 5-Pin XLR, 10 Feet (CA-XLR5-EXT-10F)
- DMX Cable, 5-Pin XLR, 25 Feet (CA-XLR5-EXT-25F)
- DMX Cable, 5-Pin XLR, 50 Feet (CA-XLR5-EXT-50F)
- DMX Cable, 5-Pin XLR, 100 Feet (CA-XLR5-EXT-100F)
- Remote Trigger (2110002)
- Paracord Lanyard (1180002)



Height		Width		Length		Weight	
(in.)	(mm)	(in.)	(mm)	(in.)	(mm)	(lb)	(kg)
4.87	123.4	6.5	165.1	14.13	358.9	11.6	5.26



LITEGEAR, INC.

Hours: Monday-Friday 8AM-4:30PM (PST)
Tel: +1 818 358-8542 SMS: +1 818 495-0600
Email: info@litegear.com or support@litegear.com
Web: www.litegear.com

© 2017 LITEGEAR, INC. All rights reserved. LiteRibbon® and FauxFlo® are registered trademarks of LiteGear, Inc.
© 2017 LITEGEAR, INC. All rights reserved. LiteGear™, LiteMat™, LiteDimmer™, LiteStix™, E-Control™, Hybrid™, Chroma™, Chroma-Correct™, LiteTile™, LiteBox™, LiteCloth™, CineHue™, CineMitter™, Cine Chroma™, Cine Series™, Studio Series™, Cine Hybrid™, Studio Hybrid™, FauxRes™, LiteEngine™, LiteNet™, LitePower™, LiteTenna™, QuickLinx™, TrueHybrid™, Vibrant Colors, Beautifully Saturated™, Stardust™, and MapLite™ are trademarks of LiteGear, Inc.
VELCRO® is a registered trademark of Velcro BVBA

