

# LITEDIMMER+ PLUS DC100V



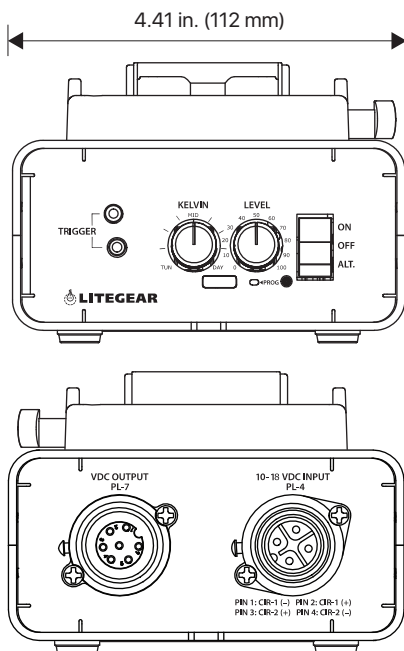
MODEL - LITEDIMMER+ PLUS DC100V DIMMING SYSTEM FOR CINEMA, TV, AND VIDEO

**LITEDIMMER+ PLUS DC100V** is the ideal portable companion for powering +Series fixtures. With a focus on DC input power, the 100W unit can be powered using typical V-Mount-compatible batteries. Optionally, an external AC powered, 12 volt power supply can be used and attached to the battery mount with the optional power supply mounting plate. The LiteDimmer+ Plus' rugged housing includes several mounting options including four 1/4-20 threads for attaching clamps or brackets.

## SPECIFICATIONS (IMPERIAL/METRIC)

POWER RATING .....	100W
VOLTAGE INPUT*(BATTERY) .....	14.4VDC Nominal (10~16VDC) (V-Mount)
VOLTAGE INPUT† (EXTERNAL) ....	9~40VDC (PL4 Connector) (Pins 1 and 4 – Neg., Pins 2 and 3 + Pos.)
VOLTAGE OUTPUT .....	24VDC Constant Voltage, PWM (PL7 Connector)
TRIGGER JACK .....	2.5 mm TRS
DIMMING RANGE.....	0% to 100% Continuous, Flicker-Free
CONTROLS .....	On-Board "ON-OFF" Switch Manual Kelvin Dial Manual Dimming Dial
SOFTWARE INTERFACE .....	Proprietary Connector, Service Center Upgradeable
MOUNTING .....	(4) 1/4-20 Threaded Inserts Drywall Screw Holes Velcro®/Cable Tie Slots Paracord Lanyard
AMBIENT TEMP. OPERATION .....	-10° to +50° C (14° to 122° F)
IP RATING.....	IP20

Height		Width		Length		Weight	
(in.)	(mm)	(in.)	(mm)	(in.)	(mm)	(lb)	(kg)
3.12	79.25	4.41	112	9.4	238.8	2.4	1.09



## DIMMER MODEL

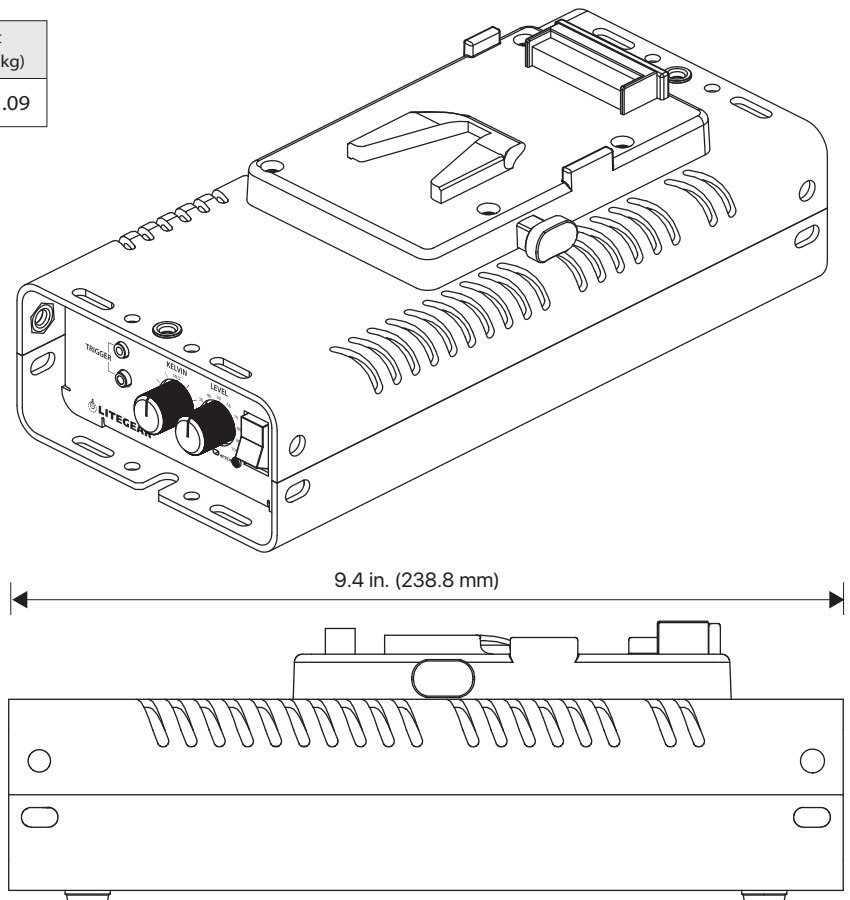
LiteDimmer+ Plus DC100V, 100W, V-Mount (LD-PLUS-DC100V)

## OPTIONAL ACCESSORIES

- Power Supply, 12VDC, 250W (PS-12V-250W-F-PL4)
- Power Supply Mounting Plate, V-Mount (LDA-PLUS-PLATE-V)
- PL7 Extension, 12' (CA-PL7-EXT-12)
- PL7 Extension, 24' (CA-PL7-EXT-24)
- PL7 TwoFer (CA-PL7.M-PL7.F.2)
- AC Cable, 5-15P to C13, 6' - US (CA-15P-C13-LOCK-6F)
- AC Cable, BS 1363 to C13, 6' - UK (CA-UK-C13-6)
- AC Cable, Europlug to C13, 6' - EU (CA-EURO-C13-6)
- Remote Trigger (2110002)
- Paracord Lanyard (1180002)
- Actuator Tool, 2-Pack (TOOL-ACTUATOR)

## RECOMMENDED BATTERIES

To see list of recommended third-party camera batteries and approximate run times: [litegear.com/ld\\_batteries](http://litegear.com/ld_batteries)



## LITEGEAR, INC.

Hours: Monday-Friday 8AM-4:30PM (PST)  
 Tel: +1 818 358-8542 SMS: +1 818 495-0600  
 Email: [info@litegear.com](mailto:info@litegear.com) or [support@litegear.com](mailto:support@litegear.com)  
 Web: [www.litegear.com](http://www.litegear.com)

© 2017 LITEGEAR, INC. All rights reserved. LiteRibbon® and FauxFlo® are registered trademarks of LiteGear, Inc.  
 © 2017 LITEGEAR, INC. All rights reserved. LiteGear™, LiteMat™, LiteDimmer™, LiteStix™, E-Control™, Hybrid™, Chroma™, Chroma-Correct™, LiteTile™, LiteBox™, LiteCloth™, CineHue™, CineMitter™, Cine Chroma™, Cine Series™, Studio Series™, Cine Hybrid™, Studio Hybrid™, FauxRes™, LiteEngine™, LiteNet™, LitePower™, LiteTenna™, QuickLinx™, TrueHybrid™, Vibrant Colors, Beautifully Saturated™, Stardust™, and MapLite™ are trademarks of LiteGear, Inc.  
 Velcro® is a registered trademark of Velcro BVBA

