

LITEDIMMER+ PLUS DC100G



MODEL - LITEDIMMER+ PLUS DC100G DIMMING SYSTEM FOR CINEMA, TV, AND VIDEO

LITEDIMMER+ PLUS DC100G is the ideal portable companion for powering +Series fixtures. With a focus on DC input power, the 100W unit can be powered using typical Gold Mount-compatible batteries. Optionally, an external AC powered, 12 volt power supply can be used and attached to the battery mount with the optional power supply mounting plate. The LiteDimmer+ Plus' rugged housing includes several mounting options including four ¼-20 threads for attaching clamps or brackets.

SPECIFICATIONS (IMPERIAL/METRIC)

POWER RATING	100W
VOLTAGE INPUT*(BATTERY)	14.4VDC Nominal (10~16VDC) (Gold Mount)
VOLTAGE INPUT† (EXTERNAL)	9~40VDC (PL4 Connector) (Pins 1 and 4 – Neg., Pins 2 and 3 + Pos.)
VOLTAGE OUTPUT	24VDC Constant Voltage, PWM (PL7 Connector)
TRIGGER JACK	2.5 mm TRS
DIMMING RANGE.....	0% to 100% Continuous, Flicker-Free
CONTROLS	On-Board "ON-OFF" Switch Manual Kelvin Dial Manual Dimming Dial
SOFTWARE INTERFACE	Proprietary Connector, Service Center Upgradeable
MOUNTING	(4) 1/4-20 Threaded Inserts Drywall Screw Holes Velcro®/Cable Tie Slots Paracord Lanyard
AMBIENT TEMP. OPERATION	-10° to +50° C (14° to 122° F)
IP RATING.....	IP20

DIMMER MODEL

LiteDimmer+ Plus DC100G, 100W, Gold Mount (LD-PLUS-DC100G)

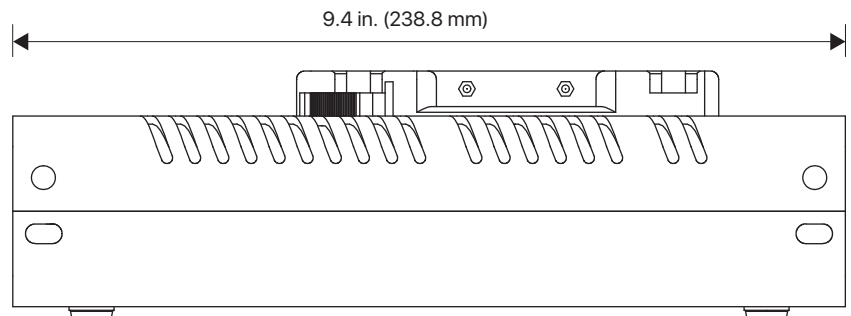
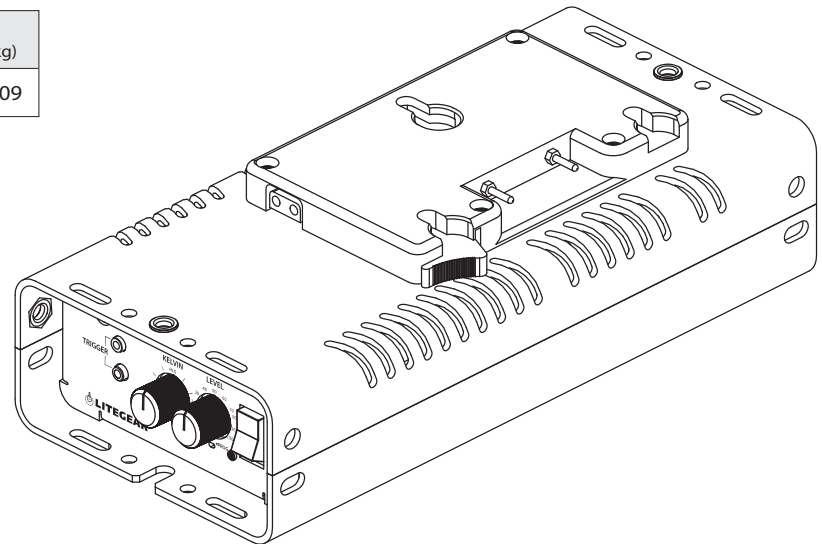
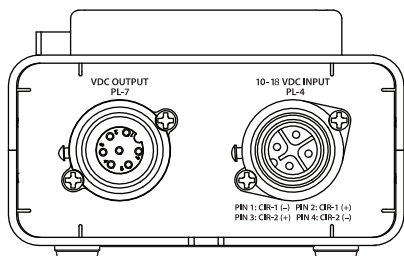
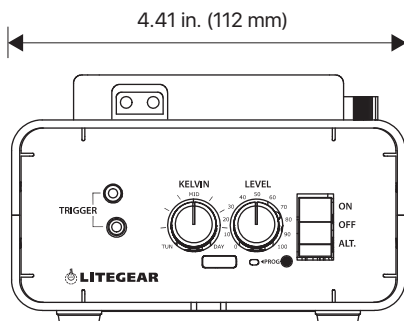
OPTIONAL ACCESSORIES

- Power Supply, 12VDC, 250W (PS-12V-250W-F-PL4)
- Power Supply Mounting Plate, Gold Mount (LDA-PLUS-PLATE-G)
- PL7 Extension, 12' (CA-PL7-EXT-12)
- PL7 Extension, 24' (CA-PL7-EXT-24)
- PL7 TwoFer (CA-PL7.M-PL7.F.2)
- AC Cable, 5-15P to C13, 6' - US (CA-15P-C13-LOCK-6F)
- AC Cable, BS 1363 to C13, 6' - UK (CA-UK-C13-6)
- AC Cable, Europlug to C13, 6' - EU (CA-EURO-C13-6)
- Remote Trigger (2110002)
- Paracord Lanyard (1180002)
- Actuator Tool, 2-Pack (TOOL-ACTUATOR)

RECOMMENDED BATTERIES

To see list of recommended third-party camera batteries and approximate run times: litegear.com/ld_batteries

Height		Width		Length		Weight	
(in.)	(mm)	(in.)	(mm)	(in.)	(mm)	(lb)	(kg)
2.76	70.1	4.41	112	9.4	238.8	2.4	1.09



LITEGEAR, INC.

Hours: Monday-Friday 8AM-4:30PM (PST)
 Tel: +1 818 358-8542 SMS: +1 818 495-0600
 Email: info@litegear.com or support@litegear.com
 Web: www.litegear.com

© 2017 LITEGEAR, INC. All rights reserved. LiteRibbon® and FauxFlo® are registered trademarks of LiteGear, Inc.
 © 2017 LITEGEAR, INC. All rights reserved. LiteGear™, LiteMat™, LiteDimmer™, LiteSix™, E-Control™, Hybrid™, Chroma™,
 Chroma-Correct™, LiteTile™, LiteBox™, LiteCloth™, CineHue™, CineMitter™, Cine Chroma™, Cine Series™, Studio Series™,
 Cine Hybrid™, Studio Hybrid™, FauxRes™, LiteEngine™, LiteNet™, LitePower™, LiteTenna™, QuickLinx™, TrueHybrid™,
 Vibrant Colors, Beautifully Saturated™, Stardust™, and MapLite™ are trademarks of LiteGear, Inc.
 VELCRO® is a registered trademark of Velcro BVBA

