

# AURORIS™



A NEW DIMENSION OF LIGHTING HAS ARRIVED



**LITEGEAR™**

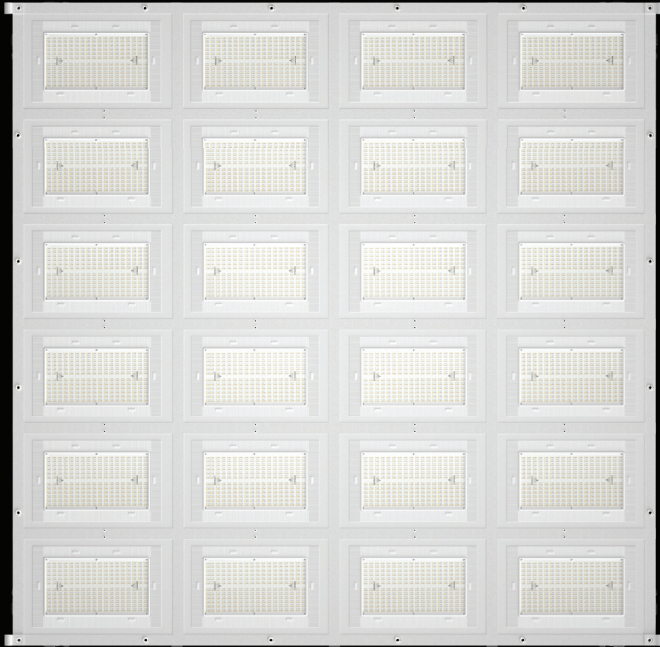
# What is Auroris?

This full-color overhead light source combines high-quality color rendition and precision control in one sleek, easy-to-use package. Powered by LiteGear's Spectrum technology, Auroris is built with up to 24 large format pixels, creating a pixel mappable source that can cover a 100-square-foot area with just one fixture. Designed to be light on weight and easy to rig Auroris is one of the slimmest, most versatile soft lights period. The game of large area overhead lighting is forever changed.





# Available in two versatile sizes

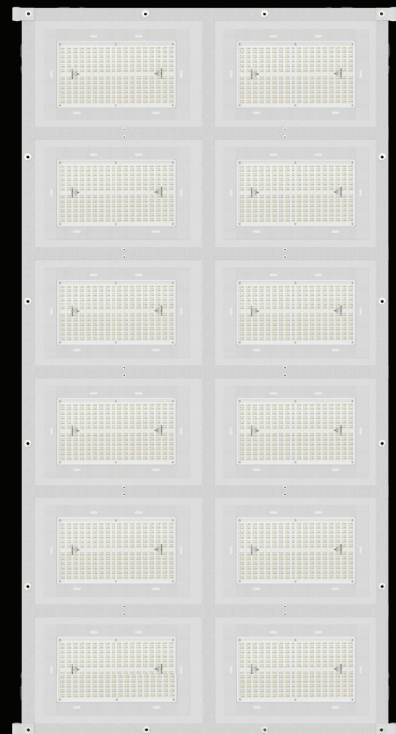


## AURORIS X

- 10 ft x 10 ft (3 m x 3 m)
- Ideal for overhead rigs.

## AURORIS V

- 5 ft x 10 ft (1.5 m x 3 m)
- Perfect for floor-supported lighting setups and smaller overhead rigs.





# Ultra-slim and lightweight

The new industry standards in large area lighting....

**Auroris V Coming in at 64 lbs for a full 5 ft x 10 ft (1.5 m x 3 m),  
Auroris X Coming in at 123 lbs for a full 10 ft x 10 ft (3 m x 3 m).**

With Auroris, low ceilings and insufficient rigging points are no longer an obstacle. We built LiteGear's legendary lighting quality into a low-profile system that weighs 30% less than other available rigs. This makes Auroris the ideal lighting solution for everything from a repurposed warehouse to a large sound stage and everything in between.

At just 1 inch thin, Auroris can be used in softboxes that are only 12 inches deep, letting you recreate the light quality of a traditional softbox with just one-sixth of the space. It's now possible to fill an entire production studio with Auroris units that easily join to create seamless ceilings or walls of soft, even light.



## At the speed of Lite

Set up faster than ever with our durable system.

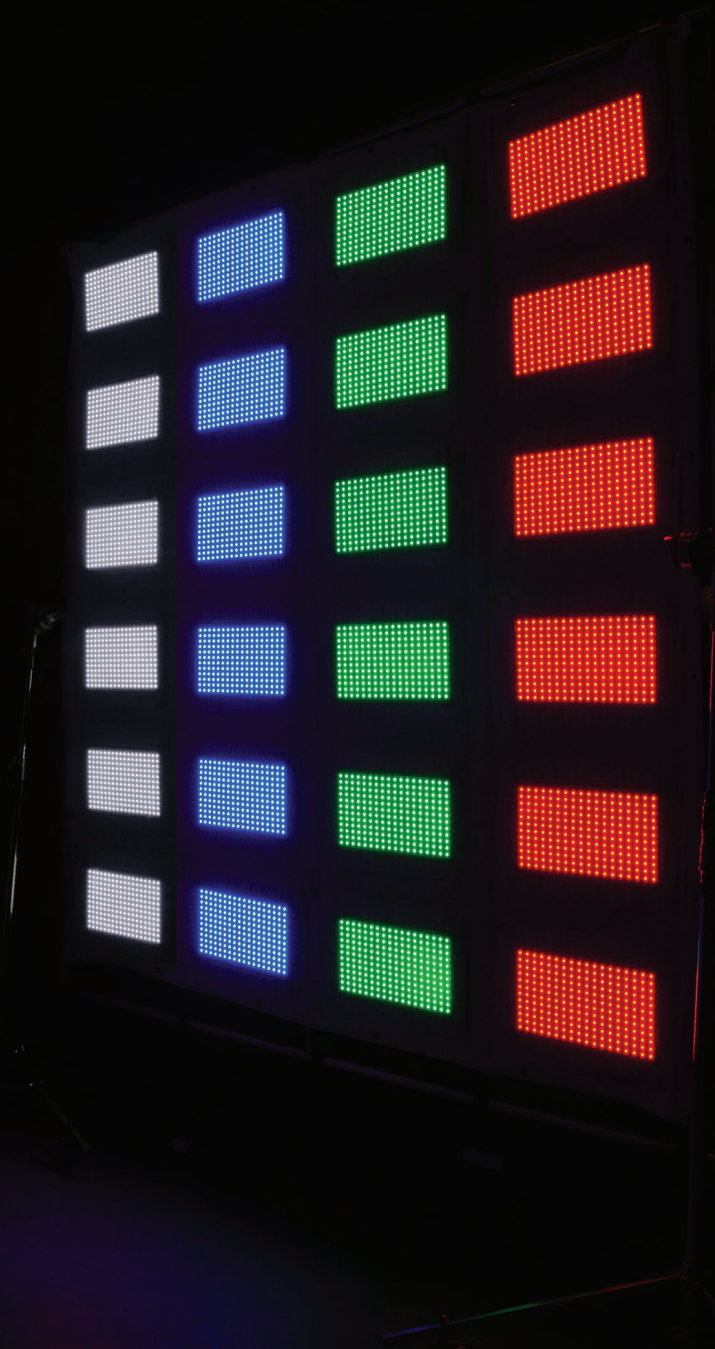
Get ready to save on space and time. Two technicians can set up an Auroris in less than 20 minutes. Simply unfold Auroris on the ground, attach it to your rigging structure with integrated straps, hoist it into the air, and you're ready to go. Plus, every Auroris is equipped with heavy-duty

webbing and locking buckles that make attaching and tightening to a rig faster than ever, without the need for zip ties or complex rigging hardware. And wrapping has never been quicker. Auroris can be uncoupled from your rig, folded, and stored in minutes.

# Next-level Spectrum color

**Unmatched color and pixel control in one fixture.**

LiteGear's Spectrum color technology delivers cinema-quality color output, with high-quality white light from 2,000K to 11,000K and wide-gamut hue selection with full spectrum desaturation. This color control is spread over 24 individual large format pixels in the Auroris X model and 12 individual large format pixels in the Auroris V. Auroris is an effortless way to create the perfect amount of pixel resolution for cinematic illumination in a lightweight and slim-profile package. From running video content over a fully pixel-mapped rig to creating a subtle CCT gradient, you're in complete control.



# Easy transportation and storage

From limitless coverage to mini storage, travel and setup have never been easier.

Auroris can light a large area, but that doesn't mean it's hard to pack up and transport. Designed to fold up into a package that is a fraction of its size when fully deployed, an Auroris unit can be quickly folded into a compact bag, making

packing convenient and taking the guesswork out of transportation. An optional road case can hold the complete Auroris X system or two Auroris V systems and is designed to be easily transportable while offering a high level of protection for Auroris.







# Go bigger with scalability

**Durable materials, seamless connection, simple design.**

When using the Auroris accessory system, you can effortlessly mount fixtures, reducing setup time. A grid of 10 Auroris fixtures can cover up to 1,000 square feet, unlike competing overhead

products that require 40 units for similar coverage. Combine that with high LED density light engines, and one Auroris unit can replace four or more similar lighting fixtures.

# Auroris V

## TECHNICAL SPECIFICATIONS

**Product Name:** Auroris V

**Item Number:** AUR-SPECTRUM-V-HEAD

**Model:** 296-1

**Beam Angle:** 120° HPA

**Input Voltage:** 48 VDC

**Input Current:** 1.04A per module (contains 12 modules)

**LE Wattage:** 50W Nominal per module (contains 24 modules)

**Total Power:** 600W Nominal (700W Maximum)

**Color Temperature Range:** 2,000K to 11,000K

**Tint Control:** Full plus and minus green adjustment

**Dimming Range:** 0 to 100% Continuous (When paired with a compatible LiteGear Dimmer)

**Colored Light:** 6-color, wide gamut hue and saturation control

**Estimated LED Lifetime:** 50,000 hrs

**Power & Data Connector:** 28-Pin Connection

**Pixels:** 12 individual large format pixels

**IP Rating:** IP20

**Max Operating Temp:** 122°F (50°C)

**Weight:** 64 lbs (29.1 kg)

**Total LED Quantity:** 15,552

**Color Rendition:** CRI Average: >= 95  
TLCI Average: >= 95

**Dimensions:** Height: 10 ft (3 m)  
Width: 5 ft (1.5 m)  
Depth: 1 in (25.4 mm)

**Mounting:** (12) 2 inch Wide Polypropalene Heavy Weight Straps, with Heavy Duty Plastic Buckles (16) #4 Gromets on perimeter of fixture as an alternate mounting method

**Certifications:** ETL, CE, UKCA, FCC

## PERFORMANCE DATA

Diffusion	Color Temp.	10ft, FC (spread, ft)	3m, Lux (spread, m)	20ft, FC (spread, ft)	6m, Lux (spread, m)	30ft, FC (spread, ft)	9m, Lux (spread, m)	40ft, FC (spread, ft)	12m, Lux (spread, m)	50ft, FC (spread, ft)	15m, Lux (spread, m)
None	<b>3200K</b>	172 (24.7 x 34.6)	1847 (7.5 x 10.6)	43 (49.4 x 69.3)	462 (15.1 x 21.1)	19 (74.1 x 103.9)	205 (22.6 x 31.7)	11 (98.8 x 138.6)	115 (30.1 x 42.2)	7 (123.5 x 173.2)	74 (37.6 x 52.8)
	<b>5600K</b>	188 (24.7 x 34.6)	2026 (7.5 x 10.6)	47 (49.4 x 69.3)	506 (15.1 x 21.1)	21 (74.1 x 103.9)	225 (22.6 x 31.7)	12 (98.8 x 138.6)	127 (30.1 x 42.2)	8 (123.5 x 173.2)	81 (37.6 x 52.8)
Quarter	<b>3200K</b>	150 (26.5 x 39.3)	1793 (8.1 x 12)	38 (53.1 x 78.5)	404 (16.2 x 23.9)	17 (79.6 x 117.8)	179 (24.3 x 35.9)	9 (106.2 x 157)	101 (32.2 x 47.9)	6 (132.7 x 196.3)	65 (40.4 x 59.8)
	<b>5600K</b>	167 (26.5 x 39.3)	1519 (8.1 x 12)	42 (53.1 x 78.5)	448 (16.2 x 23.9)	19 (79.6 x 117.8)	199 (24.3 x 35.9)	10 (106.2 x 157)	112 (32.2 x 47.9)	7 (132.7 x 196.3)	72 (40.4 x 59.8)
Half	<b>3200K</b>	141 (26.5 x 39.3)	1665 (8.7 x 13.7)	35 (57.1 x 89.9)	380 (17.4 x 27.4)	16 (85.7 x 134.8)	169 (26.1 x 41.1)	9 (114.3 x 179.7)	95 (34.8 x 54.8)	6 (142.8 x 224.6)	61 (43.5 x 68.5)
	<b>5600K</b>	155 (26.5 x 39.3)	1665 (8.7 x 13.7)	39 (57.1 x 89.9)	416 (17.4 x 27.4)	17 (85.7 x 134.8)	185 (26.1 x 41.1)	10 (114.3 x 179.7)	104 (34.8 x 54.8)	6 (142.8 x 224.6)	67 (43.5 x 68.5)
Full	<b>3200K</b>	96 (41 x 74.6)	1035 (12.5 x 22.7)	24 (82 x 149.3)	259 (25 x 27.4)	11 (123 x 223.9)	115 (37.5 x 68.2)	6 (164 x 298.6)	65 (50 x 91)	4 (205 x 373.2)	41 (62.5 x 113.7)
	<b>5600K</b>	106 (41 x 74.6)	1145 (12.5 x 22.7)	27 (82 x 149.3)	286 (25 x 27.4)	12 (123 x 223.9)	127 (37.5 x 68.2)	7 (164 x 298.6)	72 (50 x 91)	4 (205 x 373.2)	46 (62.5 x 113.7)

# Auroris X

## TECHNICAL SPECIFICATIONS

**Product Name:** Auroris X

**Item Number:** AUR-SPECTRUM-X-HEAD

**Model:** 295-1

**Beam Angle:** 120° HPA

**Input Voltage:** 48 VDC

**Input Current:** 1.04A per module (contains 24 modules)

**LE Wattage:** 50W Nominal per module (contains 24 modules)

**Total Power:** 1,200W Nominal (1,450W Maximum)

**Color Temperature Range:** 2,000K to 11,000K

**Tint Control:** Full plus and minus green adjustment

**Dimming Range:** 0 to 100% Continuous (When paired with a compatible LiteGear Dimmer)

**Colored Light:** 6-color, wide gamut hue and saturation control

**Estimated LED Lifetime:** 50,000 hrs

**Power & Data Connector:** 28-Pin Connection

**Pixels:** 24 individual large format pixels

**IP Rating:** IP20

**Max Operating Temp:** 122°F (50°C)

**Weight:** 114 lbs (51.8 kg)

**Total LED Quantity:** 31,104

**Color Rendition:** CRI Average: >= 95  
TLCI Average: >= 95

**Dimensions:** Height: 10 ft (3 m)  
Width: 10 ft (3 m)  
Depth: 1 in (25.4 mm)

**Mounting:** (24) 2 inch Wide Polypropalene Heavy Weight Straps, with Heavy Duty Plastic Buckles (20) #4 Gromets on perimeter of fixture as an alternate mounting method

**Certifications:** ETL, CE, UKCA, FCC

## PERFORMANCE DATA

Diffusion	Color Temp.	10ft, FC (spread, ft)	3m, Lux (spread, m)	20ft, FC (spread, ft)	6m, Lux (spread, m)	30ft, FC (spread, ft)	9m, Lux (spread, m)	40ft, FC (spread, ft)	12m, Lux (spread, m)	50ft, FC (spread, ft)	15m, Lux (spread, m)
None	<b>3200K</b>	312 (34.6 x 34.6)	3360 (10.6 x 10.6)	114 (69.3 x 69.3)	1223 (21.1 x 21.1)	60 (103.9 x 103.9)	645 (31.7 x 31.7)	34 (138.6 x 138.6)	363 (42.2 x 2.2)	22 (173.2 x 173.2)	232 (52.8 x 52.8)
	<b>5600K</b>	344 (334.6 x 34.6)	3707 (10.6 x 10.6)	125 (69.3 x 69.3)	1346 (21.1 x 21.1)	66 (103.9 x 103.9)	707 (31.7 x 31.7)	37 (138.6 x 138.6)	398 (42.2 x 2.2)	24 (173.2 x 173.2)	255 (52.8 x 52.8)
Quarter	<b>3200K</b>	255 (39.3 x 39.3)	2737 (12 x 12)	100 (78.5 x 78.5)	1093 (23.9 x 23.9)	52 (117.8 x 117.8)	564 (35.9 x 35.9)	29 (157 x 157)	317 (47.9 x 47.9)	19 (196.3 x 196.3)	203 (59.8 x 59.8)
	<b>5600K</b>	281 (39.3 x 39.3)	3027 (12 x 12)	110 (78.5 x 78.5)	1187 (23.9 x 23.9)	58 (117.8 x 117.8)	620 (35.9 x 35.9)	32 (157 x 157)	349 (47.9 x 47.9)	21 (196.3 x 196.3)	223 (59.8 x 59.8)
Half	<b>3200K</b>	245 (44.9 x 44.9)	2642 (13.7 x 13.7)	97 (89.9 x 89.9)	1041 (27.4 x 27.4)	50 (134.8 x 134.8)	536 (41.1 x 41.1)	28 (179.7 x 179.7)	302 (54.8 x 54.8)	18 (224.6 x 224.6)	193 (68.5 x 68.5)
	<b>5600K</b>	268 (44.9 x 44.9)	2880 (13.7 x 13.7)	107 (89.9 x 89.9)	1150 (27.4 x 27.4)	55 (134.8 x 134.8)	588 (41.1 x 41.1)	31 (179.7 x 179.7)	331 (54.8 x 54.8)	20 (224.6 x 224.6)	212 (68.5 x 68.5)
Full	<b>3200K</b>	225 (74.6 x 74.6)	2418 (22.7 x 22.7)	65 (149.3 x 149.3)	698 (45.5 x 45.5)	42 (223.9 x 223.9)	450 (68.2 x 68.2)	24 (298.6 x 298.6)	253 (91 x 91)	15 (373.2 x 373.2)	162 (113.7 x 113.7)
	<b>5600K</b>	249 (74.6 x 74.6)	2679 (22.7 x 22.7)	71 (149.3 x 149.3)	766 (45.5 x 45.5)	46 (223.9 x 223.9)	495 (68.2 x 68.2)	26 (298.6 x 298.6)	278 (91 x 91)	17 (373.2 x 373.2)	178 (113.7 x 113.7)



# Our most advanced dimmer...ever

LiteDimmer Spectrum AC600 is the perfect companion to Auroris.

The LiteDimmer Spectrum AC600 is a new class of dimmers made specifically with Auroris in mind. Complete with local control and new communication protocols, this dimmer can control 12 large format pixels, making pixel mapping large overhead areas easier than ever. Specially designed with advanced processing power, integrated

Ethernet switch, expanded memory, and a faster processor, this new hardware allows for Ethernet-based communication protocols such as Art-Net and sACN, advanced color control, and cutting-edge software features. An integrated USB-A port enables easy updates that will bring new, innovative software for years to come.

## SOFTWARE

Spectrum OS2.8 provides the tools needed to create your best work.

The LiteDimmer AC600 can control up to 12 large format pixels combined with pixel mapping, soft light through pixelization, enhanced brightness, improved color science and tint feature, an economic user interface, ballast status visibility, enhanced low-light color consistency, and much more.

## CONNECTIONS

Seamless connection with advanced connectivity options.

- ETHERCON IN/THROUGH WITH INTEGRATED ETHERNET SWITCH
- USB-A
- INTERNAL WIRELESS ANTENNA
- DMX IN/THROUGH
- PDX
- 28-PIN HEADER CONNECTOR
- POWER SWITCH
- POWERCON IN/THROUGH

## MOUNTING

Enables a secure attachment of the LiteDimmer AC600 to the Auroris truss system or any 1.5" to 2" pipe via a K-mount to cheeseborough clamp. A K-mount to Mafer clamp mount is also available.

## COMMUNICATIONS

Advanced processing power, expanded memory, a faster processor, and Ethernet-based communication.

- DMX
- RDM
- sACN
- Art-Net
- CRMX



# LiteDimmer Spectrum AC600

## TECHNICAL SPECIFICATIONS

**Product Name:** LiteDimmer Spectrum AC600

**Item Number:** LD-SPECTRUM-AC600

**Model:** 298-1

**Input Voltage:** 100-240 VAC, 50/60 Hz

**Input Current:** 4.5A to 9A

**Output Voltage:** 48VDC

**Output Current:** 14.7A to 21A

**Data Connectors:** USB-A, 2x EtherCon, 5-Pin DMX In and Thru, Internal CRMX Antenna

**Data Connectors:** PDX, 28-Pin Connector

**Mains Power Connectors:** powerCON TRUE1 TOP In and Thru (Edison / Schuko / Bare Ends cables available)

**Control:** DMX, RDM, CRMX (Art-Net, sACN coming soon)

**Switches:** On-board On/Off Switch

**Power:** 700W Maximum

**IP Rating:** IP20

**Weight:** 12.6 lbs (5.7 kg)

**Dimensions:** Height: 9.8 ft (3m)  
Width: 9.8 ft (3m)  
Depth: 1 in. (25.4mm)

**Max Operating Temperature:** 122°F (50°C)

**Mounting:** 2 kMounts (truss & stand mounts available)

**Certifications:** ETL, CE, UKCA, FCC

## ACCESSORIES

### Mounting

LDA-TRUSS-MOUNT LiteDimmer Truss Mount

LDA-STAND-MOUNT LiteDimmer Stand Mount

### Cable

CA-28PIN-EXT-4M 28-Pin Header Cable, 13 ft (4m)

CA-28PIN-EXT-7.5M 28-Pin Header Cable, 25 ft (7.5m)

CA-28PIN-EXT-15M 28-Pin Header Cable, 50 ft (15m)

CA-28PIN-EXT-30M 28-Pin Header Cable, 100 ft (30m)

CA-PCONTOP-EDISON-3M powerCON to Edison, 10 ft (3m)

CA-PCONTOP-SCHUKO-3M powerCON to Schuko, 10 ft (3m)

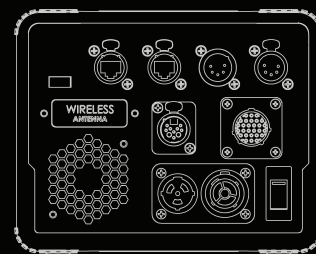
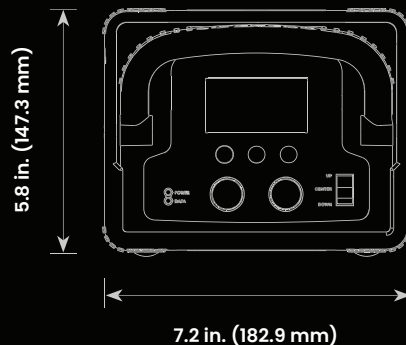
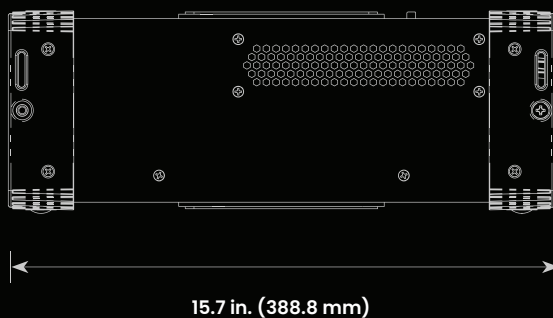
CA-PCONTOP-BE-3M-US powerCON to Bare-End, US, 10 ft (3m)

CA-PCONTOP-BE-3M-INT powerCON to Bare-End, INT, 10 ft (3m)

CA-PCONTOP-PCONTOP-4M powerCON to powerCON, 13 ft, (4m)

### Safety

AURA-SAFETY-30IN-0.125IN Safety Cable with Spring Hook, 30 in long, 1/8 in Dia.



# A complete ecosystem

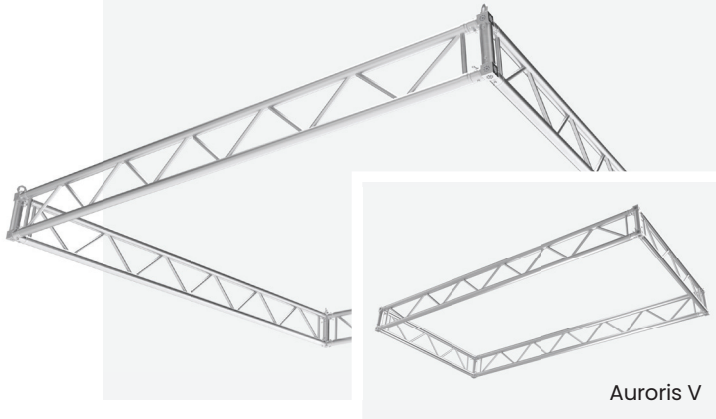


**We've worked with top cinematic lighting professionals to build a collection of accessories that work perfectly with Auroris.**

The beauty of Auroris is its flexibility to be utilized and rigged in any way you desire with its wide range of accessories. Choose from components such as ladder truss, diffusion and skirt, teaser, SnapGrids, road case, safety accessories, and more. Use Auroris without diffusion or select the level of light control you desire. Whatever you choose, we have what you need to make your perfect light box.

# Accessories

Auroris X



## AURORIS TRUSS SYSTEM

Designed for Auroris, this lightweight Truss System makes rigging quick and easy. When paired with diffusion skirts, this frame is the perfect structure for creating a low-profile light box with soft and even light.

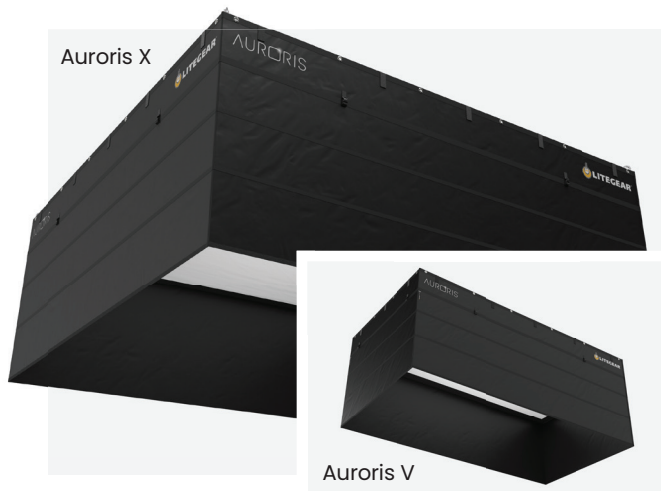
Auroris X



## DIFFUSION AND SIDE SKIRTS

Perfect for creating soft, even light output, this diffusion and side skirt combo is available in three densities: full, half, and quarter. The skirt attaches quickly to the truss system and controls unwanted bounce or spill.

Auroris X



## TEASERS

These duvetyn teasers extend the side skirt and allow for additional control of unwanted spill light. Attached Velcro strips allow for the height of the teaser to be quickly adjusted.





### LITEDIMMER MOUNTS

The Dimmer Truss Mount provides secure attachment of the LiteDimmer Spectrum AC600 to any 1.5-inch to 2-inch pipe. The Dimmer Stand Mount provides secure attachment of the LiteDimmer Spectrum AC600 to any light stand. A K-mount enables quick and secure attachment to the AC600 while the Super Clamp affixes firmly to any light stand stem or leg. For rigging and safety, a 30-inch safety cable with a 5/16-inch spring hook is available for Auroris.



### CABLES

The 28-Pin Cable operates Auroris by distributing power and data evenly across 12 light engine modules. It is available in 12 ft (4 m), 25 ft (7.5 m), 50 ft (15 m), and 100 ft (30 m) lengths. PowerCon cables are available in Edison, Schuko, bare-end, and pass-through configurations.

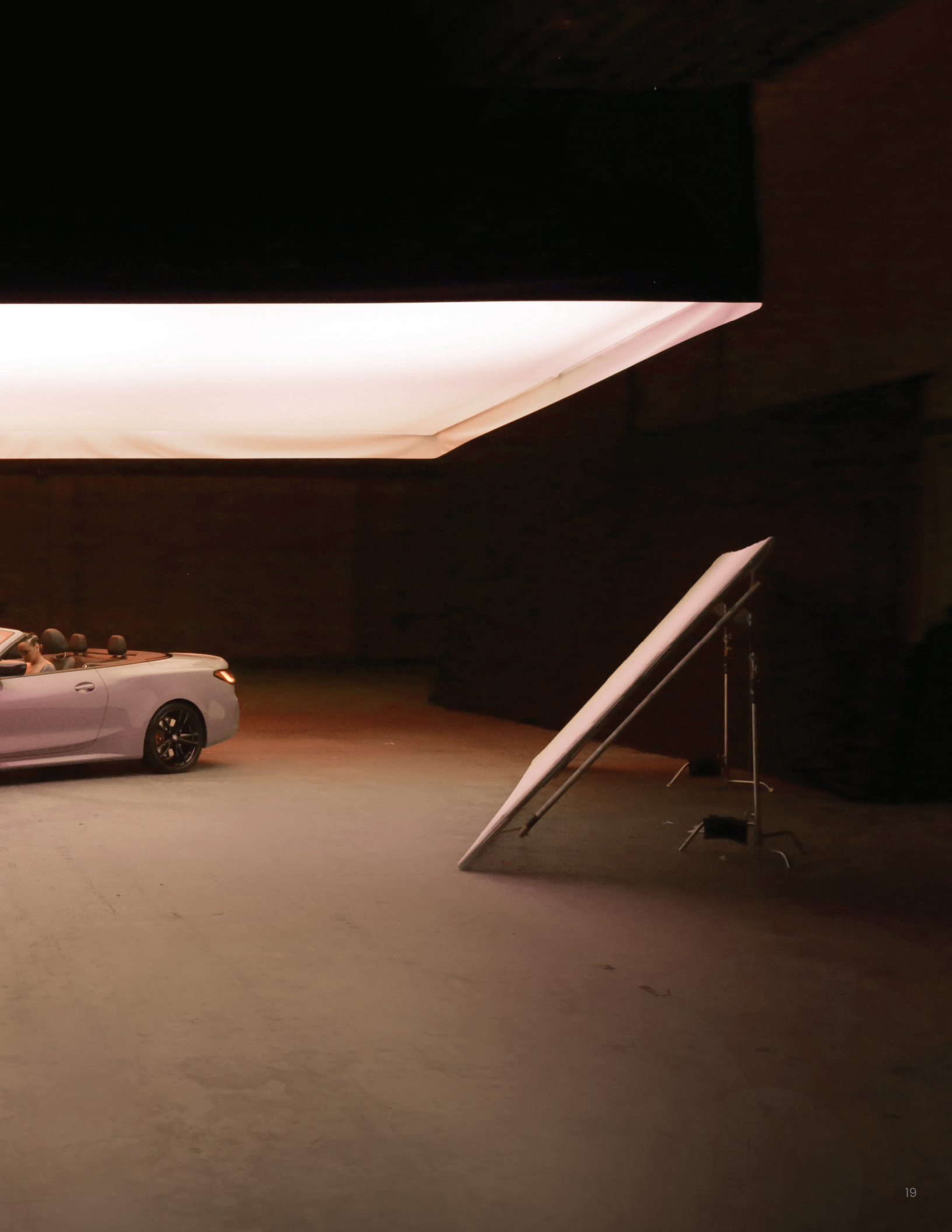


### CASE AND BAGS

The Road Case can hold the complete Auroris X and is designed to be easily transportable while offering a high level of protection for the Auroris system. A carrying bag, which comes with every Auroris fixture, protects it from dirt and wear & tear between uses.



AURORIS™



For more information,  
visit us at: [litegear.com/auroris](http://litegear.com/auroris)

AURORIS™

