

# LITENET™

# TRX 2

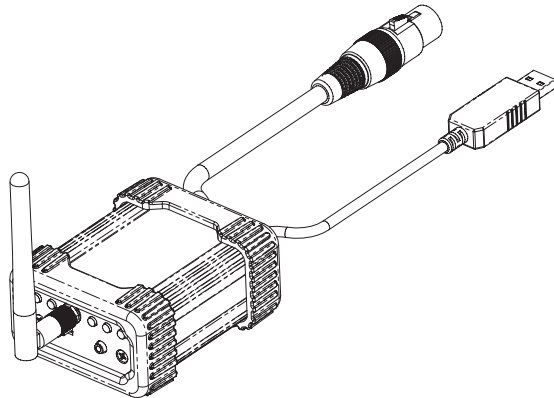
## WIRELESS DMX TRANSMITTER & RECEIVER

## USER GUIDE



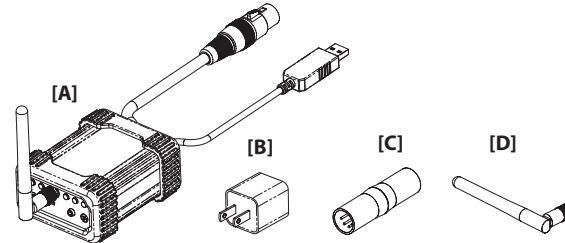
### About LiteNet TRX 2 Wireless DMX Transmitter & Receiver

LiteNet Wireless TRX is a wireless device capable of transmitting or receiving DMX data. Powered by LumenRadio, the TRX has been designed to work with any product that has DMX capabilities.



### Included in the package:

- A. (1) LiteNet TRX unit
- B. (1) USB-A Wall Adapter, 1A
- C. (1) 5-Pin XLR Male to 5-Pin XLR Male Adapter
- D. (1) Antenna, RP-SMA

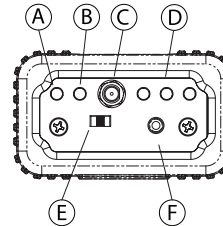


### [Required but Not Included]:

- DMX console
- Power Source, 5VDC

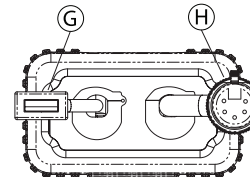
### Front Panel

- A. Power Indicator Light (Green)
- B. DMX Signal Indicator Light (Green)
- C. Antenna Port (RP-SMA)
- D. Signal Strength Indicators (Wireless DMX Signal)
- E. 3-Position Switch (Transmit-Off-Receive)
- F. Push Button Lighted Switch (Status/Link)



### Back Panel

- G. Input Power USB connector lead (5VDC)
- H. DMX output (5-Pin XLR lead)



## 1 Transmitting

1. Ensure DMX console has been properly set up.
2. Set the 3-position switch to [OFF].
3. Connect 5-pin XLR to corresponding port on DMX console of choice.
4. Connect TRX to power supply of choice (5VDC); no indicator lights should be on at this time.
5. Set the 3-position switch to transmit [TX].
6. "PWR" and "DMX" indicator lights should now turn GREEN; [STATUS/LINK] indicator light will flash BLUE slowly.
7. Push [STATUS/LINK] button to begin search for available receivers.
8. [STATUS/LINK] indicator light will flash BLUE rapidly as it searches for, and begins to connect to the receiving devices.
9. Once devices are linked, the [STATUS/LINK] indicator light will stop flashing rapidly and will flash BLUE slowly.

## 2 Receiving

1. Set the 3-position switch to [OFF].
2. Connect 5-pin XLR to corresponding port or adapter to connect to DMX device (eg Mover, Opti, Decoder, etc...).
3. Connect TRX to power supply of choice (5VDC).
4. No indicator lights should be on at this time.
5. Set 3-position switch to Receive [RX].
6. "PWR" indicator light should turn GREEN.
7. Receiver automatically begins searching for transmission, with the [STATUS/LINK] indicator light beginning to flash BLUE rapidly.
8. If [STATUS/LINK] indicator does not appear on, it will be necessary to press the [status/link] indicator button on the transmitting unit to establish a link.
9. [STATUS/LINK] indicator light stops flashing rapidly once link is established, and will flash BLUE slowly.
10. "DMX" indicator light turns GREEN once link has been established.
11. "Signal Strength Indicators" will light ORANGE, GREEN, and GREEN; to indicate connection signal strength.

### 3 De-Linking

#### Transmitter:

1. Press [STATUS/LINK] button and hold for three (3) seconds;
2. [STATUS/LINK] indicator light stops flashing and remains BLUE;
3. Connection has been disrupted.
4. Push [STATUS/LINK] button to re-establish connection.

### 5 Signal Clarity

- Mount in a dry location.
- Mount in a high place; TRX2 runs on 2.4GHz bandwidth, so the strength of the signal may be affected by any surrounding devices.

### 7 Specifications

- Input Power: 5VDC (USB-A Connector)
- Protocol: DMX-512 (5-Pin XLR Connector)
- Radio: LumenRadio CRMX™
- Antenna: RP-SMA (50Ω, 2.4GHz)

#### Warnings

- For Use in Dry Locations Only

Designed and Made in California, USA.

*Any Questions? Comments? Concerns? Contact us at +1 (818) 358-8542*

**FC** ID: XRSCRMXTIM0101  
MODEL: 200-1502



*For more information, scan the QR code above,  
or visit our website: [www.litegear.com](http://www.litegear.com)*

*Questions? Comments? Concerns?  
Contact us at +1 (818) 358-8542*



**LITEGEAR™**

4406 Vanowen Street, Burbank, California, 91505 USA  
Tel: +1 (818) 358-8542 • Email: [info@litegear.com](mailto:info@litegear.com) • Web: [www.litegear.com](http://www.litegear.com)

© 2018 LITEGEAR, INC. All rights reserved. LiteRibbon® and FauxFlo® are registered trademarks of LiteGear, Inc.  
© 2018 LITEGEAR, INC. All rights reserved. LiteGear™, LiteMat™, LiteSbix™, LitePower™, LiteDimmer™, LiteEFX™,  
and E-Control™ are trademarks of LiteGear, Inc.  
CRMXT™ is a registered trademark of LumenRadio AB.

### 4 De-Linking

#### Receiver:

1. Press and hold [STATUS/LINK] push button for three (3) seconds;
2. [STATUS/LINK], "DMX", and "Signal Strength Indicators" lights will shut off;
3. Receiver has been de-linked from transmitter.
4. Transmitter is responsible for re-linking.

### 6 Notes Regarding Use

- Disconnecting power will disrupt signal, however once power has been reconnected, previously linked devices will automatically re-establish link.
- The TRX2 can transmit DMX to any LumenRadio CRMX device, not just another TRX or LiteGear product.
- The TRX2 can receive DMX from any LumenRadio CRMX device, not just another TRX2 or LiteGear product.
- TRX2 main housing has cold shoe slots on two (2) sides that accept any cold shoe adapter for mounting. Use the optional POS Clamp to secure in a high, dry, location for optimal performance.
- Rubber bumpers are also magnetic, allowing local mounting to stands, power supplies, and other devices.