

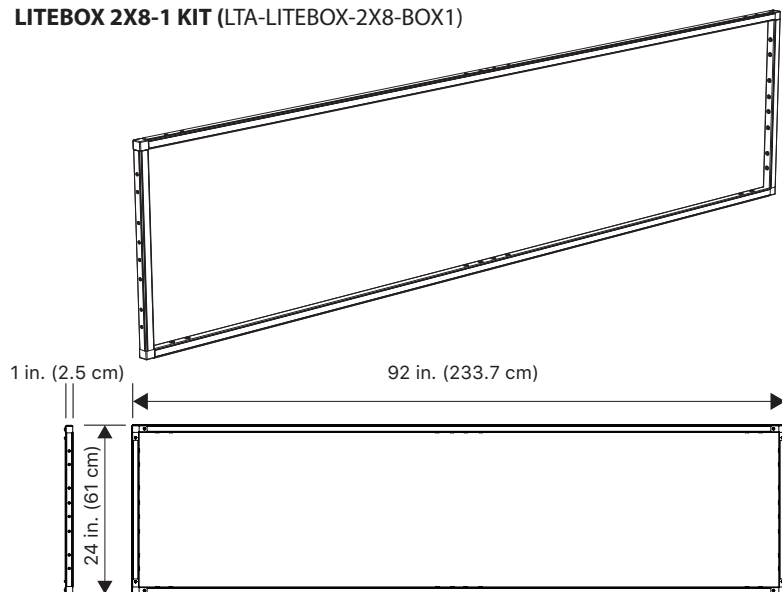
LITEBOX™ 2X8

MODEL - LITEBOX™ 2X8, LED LIGHTING FRAME SYSTEM FOR CINEMA, TV, AND VIDEO



LITEBOX is the perfect accessory for the LiteTile+ Plus. This modular system is designed to mount a LiteTile+ Plus 8 to a lightweight rigid frame and then have the option of diffusing the LEDs at 1 inch (2.5 cm) or 6 inches (15 cm) away. LiteBox comes with the same three, familiar diffusers as LiteMat and opaque fabric sides to eliminate spill light when used in the 6-inch deep version. For rigging, LiteBox is surrounded by 1/4"-20 threaded inserts and comes with 5/8" baby pin adapters.

LITEBOX 2X8-1 KIT (LTA-LITEBOX-2X8-BOX1)



LITEBOX 2X8-1 KIT INCLUDES:

FRAME SYSTEM

- (2) 96" LiteBox Tube (LTA-LITEBOX-TUBE-96)
- (2) 24" LiteBox Tube (LTA-LITEBOX-TUBE-24)
- (4) 2-Way Corner (LTA-LITEBOX-CORNER-2WAY)

DIFFUSION

- (1) Full Diffusion (LTA-LITEBOX-DIFF-9624-F)
- (1) Half Diffusion (LTA-LITEBOX-DIFF-9624-H)
- (1) Quarter Diffusion (LTA-LITEBOX-DIFF-9624-Q)

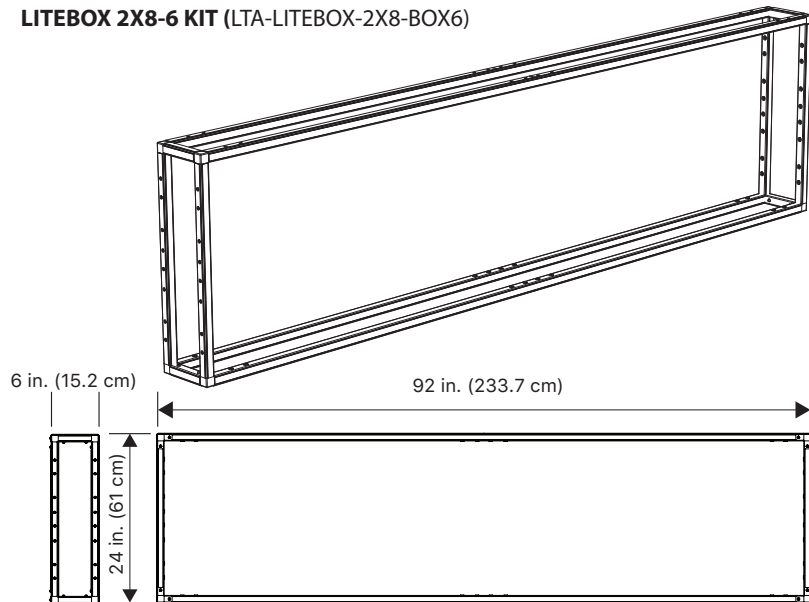
MOUNTING

- (2) Mount with Baby Pin (LTA-LITEBOX-BABY)

OPTIONAL ACCESSORIES:

- LiteTile+ Plus 8 (LT-PLUS-EIGHT-HY-TILE)
- 2' x 8' Snapgrid (LTA-LITEBOX-2X8-LC-SNAPGRID40)
- RAM Mount (LTA-LITEBOX-RAM)
- Hinge (LTA-LITEBOX-HINGE)
- Grip Head (LTA-LITEBOX-GRIPHEAD)

LITEBOX 2X8-6 KIT (LTA-LITEBOX-2X8-BOX6)



LITEBOX 2X8-6 KIT INCLUDES:

FRAME SYSTEM

- (4) 96" LiteBox Tube (LTA-LITEBOX-TUBE-96)
- (4) 24" LiteBox Tube (LTA-LITEBOX-TUBE-24)
- (4) 6" LiteBox Tube (LTA-LITEBOX-EXTRUSION-6)
- (8) 3-Way Corner, (4) Y, (4) W (LTA-LITEBOX-CORNER-3WAY)

4DIFFUSION

- (1) Full Diffusion (LTA-LITEBOX-DIFF-9624-F)
- (1) Half Diffusion (LTA-LITEBOX-DIFF-9624-H)
- (1) Quarter Diffusion (LTA-LITEBOX-DIFF-9624-Q)

MOUNTING

- (2) Mount with Baby Pin (LTA-LITEBOX-BABY)

SIDES

- (2) 96" x 6" Solid Side Panel (LTA-LITEBOX-SIDE-9606-SOLID)
- (2) 24" x 6" Solid Side Panel (LTA-LITEBOX-SIDE-2406-SOLID)

OPTIONAL ACCESSORIES:

- LiteTile+ Plus Eight (LT-PLUS-EIGHT-HY-TILE)
- 2' x 8' SnapGrid (LTA-LITEBOX-2X8-LC-SNAPGRID40)
- Ram Mount (LTA-LITEBOX-RAM)
- Hinge (LTA-LITEBOX-HINGE)
- Grip Head (LTA-LITEBOX-GRIPHEAD)

	Height		Width		Depth		Weight without LiteMat+ Plus 8		Weight with LiteMat+ Plus 8	
	(in.)	(mm)	(in.)	(mm)	(in.)	(mm)	(lb)	(kg)	(lb)	(kg)
LITEBOX 2X8-1 KIT with DIFFUSION	24	610	92	2336	1	25	5.4	2.4	13.6	3.7
LITEBOX 2X8-6 KIT with DIFFUSION and SIDE PANELS	24.25	616	92.25	2343	6	152	12	5.4	20	5.7

LITEGEAR, INC.


Hours: Monday-Friday 8AM-4:30PM (PST)
 Tel: +1 818 358-8542 • SMS: +1 818 495-0600
 Email: info@litegear.com or support@litegear.com
 Web: www.litegear.com



LITEBOX 2X8-6" PHOTOMETRIC SPECIFICATIONS (IMPERIAL/METRIC) — WITH QUARTER DIFFUSION

CCT (K)	CRI	TLCI	Lumens	fc @ 72 in.	fc @ 96 in.	fc @ 120 in.	fc @ 144 in.	fc @ 168 in.	fc @ 192 in.	fc @ 216 in.	fc @ 240 in.
4400	95+	95+	20384	271	152	97.5	67.7	49.7	38.1	30.1	24.4
CCT (K)	CRI	TLCI	Lumens	Lux @ 183 cm	Lux @ 244 cm	Lux @ 305 cm	Lux @ 366 cm	Lux @ 427 cm	Lux @ 488 cm	Lux @ 549 cm	Lux @ 610 cm
4400	95+	95+	20384	2915	1640	1049	729	535	410	324	262


LITEBOX 2X8-6" BEAM SPREAD (IMPERIAL/METRIC) — WITH QUARTER DIFFUSION

Beam Size H x W (in.)	222 x 208	296 x 277	370 x 346	443 x 415	517 x 484	591 x 554	665 x 623	739 x 692
Distance (in.)	72	96	120	144	168	192	216	240
								
Beam Size H x W (cm)	563 x 527	751 x 703	939 x 879	1126 x 1054	1314 x 1230	1502 x 1406	1690 x 1582	1877 x 1757
Distance (cm)	183	244	305	366	427	488	549	610

LITEBOX 2X8-6" PHOTOMETRIC SPECIFICATIONS (IMPERIAL/METRIC) — WITH HALF DIFFUSION

CCT (K)	CRI	TLCI	Lumens	fc @ 72 in.	fc @ 96 in.	fc @ 120 in.	fc @ 144 in.	fc @ 168 in.	fc @ 192 in.	fc @ 216 in.	fc @ 240 in.
4400	95+	95+	20384	250	141	90	62.5	45.9	35.2	27.8	22.5
CCT (K)	CRI	TLCI	Lumens	Lux @ 183 cm	Lux @ 244 cm	Lux @ 305 cm	Lux @ 366 cm	Lux @ 427 cm	Lux @ 488 cm	Lux @ 549 cm	Lux @ 610 cm
4400	95+	95+	20384	2692	1514	969	673	494	379	299	242


LITEBOX 2X8-6" BEAM SPREAD (IMPERIAL/METRIC) — WITH HALF DIFFUSION

Beam Size H x W (in.)	222 x 208	296 x 277	370 x 346	443 x 415	517 x 484	591 x 554	665 x 623	739 x 692
Distance (in.)	72	96	120	144	168	192	216	240
								
Beam Size H x W (cm)	563 x 527	751 x 703	939 x 879	1126 x 1054	1314 x 1230	1502 x 1406	1690 x 1582	1877 x 1757
Distance (cm)	183	244	305	366	427	488	549	610

LITEBOX 2X8-6" PHOTOMETRIC SPECIFICATIONS (IMPERIAL/METRIC) — WITH FULL DIFFUSION

CCT (K)	CRI	TLCI	Lumens	fc @ 72 in.	fc @ 96 in.	fc @ 120 in.	fc @ 144 in.	fc @ 168 in.	fc @ 192 in.	fc @ 216 in.	fc @ 240 in.
4400	95+	95+	20384	173	97.3	62.3	43.2	31.8	24.3	19.2	15.6
CCT (K)	CRI	TLCI	Lumens	Lux @ 183 cm	Lux @ 244 cm	Lux @ 305 cm	Lux @ 366 cm	Lux @ 427 cm	Lux @ 488 cm	Lux @ 549 cm	Lux @ 610 cm
4400	95+	95+	20384	1861	1047	670	465	342	262	207	168

LITEBOX 2X8-6" BEAM SPREAD (IMPERIAL/METRIC) — WITH FULL DIFFUSION

Beam Size H x W (in.)	222 x 208	296 x 277	370 x 346	443 x 415	517 x 484	591 x 554	665 x 623	739 x 692
Distance (in.)	72	96	120	144	168	192	216	240
								
Beam Size H x W (cm)	563 x 527	751 x 703	939 x 879	1216 x 1054	1314 x 1230	1502 x 1406	1690 x 1582	1877 x 1757
Distance (cm)	183	244	305	366	427	488	549	610

Photometric Values for LiteBox 2X8-1" deep frame are as follows:

Quarter Diffusion - 23% increased light output (0.23 f-Stop increase) vs. values listed above.

Half Diffusion - 28% increased light output (0.28 f-Stop increase) vs. values listed above.

Full Diffusion - 42% increased light output (0.42 f-Stop increase) vs. values listed above.

All measurements obtained using one LiteTile+ Plus 8 fixture in the vertical position connected to a LiteDimmer+ Plus AC400 DMX at full brightness under lab conditions.

LITEGEAR, INC.

Hours: Monday-Friday 8AM-4:30PM (PST)

Tel: +1 818 358-8542 • SMS: +1 818 495-0600

Email: info@litegear.com or support@litegear.com

Web: www.litegear.com

