

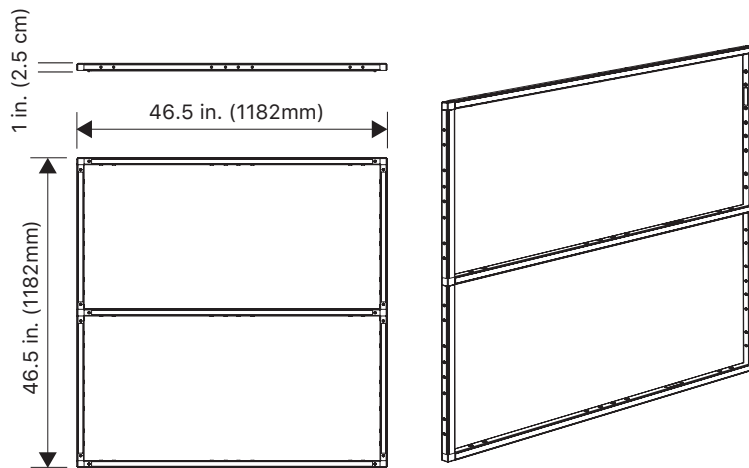
LITEBOX™ 4X4

MODEL - LITEBOX™ 4X4, LED LIGHTING FRAME SYSTEM FOR CINEMA, TV, AND VIDEO



LITEBOX is the perfect accessory for the LiteTile+ Plus. This modular system is designed to mount two LiteTile+ Plus 4's to a lightweight rigid frame and then have the option of diffusing the LEDs at 1 inch (2.5 cm) or 6 inches (15 cm) away. LiteBox comes with the same three, familiar diffusers as LiteMat and opaque fabric sides to eliminate spill light when used in the 6-inch deep version. For rigging, LiteBox is surrounded by 1/4"-20 threaded inserts and comes with a 5/8" baby pin adapters.

LITEBOX 4X4-1 KIT (LTA-LITEBOX-4X4-BOX1)



LITEBOX 4X4-1 KIT INCLUDES:

FRAME SYSTEM

- (3) 48" LiteBox Tube (LTA-LITEBOX-TUBE-48)
- (4) 24" LiteBox Tube (LTA-LITEBOX-TUBE-24)
- (4) 2-Way Corner (LTA-LITEBOX-CORNER-2WAY)
- (2) 3-Way Tee (LTA-LITEBOX-TEE-3WAY)

DIFFUSION

- (1) Full Diffusion (LTA-LITEBOX-DIFF-4848-F)
- (1) Half Diffusion (LTA-LITEBOX-DIFF-4848-H)
- (1) Quarter Diffusion (LTA-LITEBOX-DIFF-4848-Q)

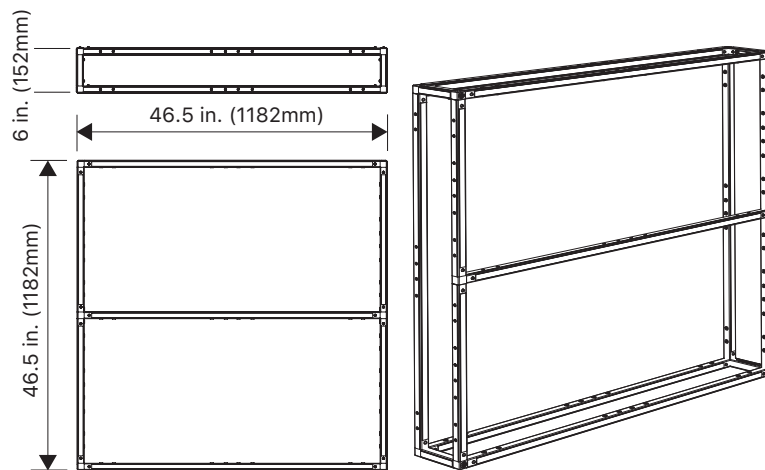
MOUNTING

- (2) Mount with Baby Pin (LTA-LITEBOX-BABY)

OPTIONAL ACCESSORIES:

- LiteTile+ Plus 4 (LT-PLUS-FOUR-HY-TILE)
- 4' x 4' SnapGrid (LTA-LITEBOX-4X4-LC-SNAPGRID40)
- RAM Mount (LTA-LITEBOX-RAM)
- Hinge (LTA-LITEBOX-HINGE)
- Grip Head (LTA-LITEBOX-GRIPHEAD)

LITEBOX 4X4-6 KIT (LTA-LITEBOX-4X4-BOX6)



LITEBOX 4X4-6 KIT INCLUDES:

FRAME SYSTEM

- (7) 48" LiteBox Tube (LTA-LITEBOX-TUBE-48)
- (4) 24" LiteBox Tube (LTA-LITEBOX-TUBE-24)
- (4) 6" LiteBox Tube (LTA-LITEBOX-TUBE-6)
- (8) 3-Way Corner, (4) Y, (4) W (LTA-LITEBOX-CORNER-3WAY)
- (2) 3-Way Tee (LTA-LITEBOX-TEE-3WAY)

DIFFUSION

- (1) Full Diffusion (LTA-LITEBOX-DIFF-4848-F)
- (1) Half Diffusion (LTA-LITEBOX-DIFF-4848-H)
- (1) Quarter Diffusion (LTA-LITEBOX-DIFF-4848-Q)

MOUNTING

- (2) Mount with Baby Pin (LTA-LITEBOX-BABY)

SIDES

- (4) 48" x 6" Solid Side Panel (LTA-LITEBOX-SIDE-4806-SOLID)

OPTIONAL ACCESSORIES:

- LiteTile 2X4 (LT-PLUS-FOUR-HY-TILE)
- 4' x 4' Snapgrid (LTA-LITEBOX-4X4-LC-SNAPGRID40)
- RAM Mount (LTA-LITEBOX-RAM)
- Hinge (LTA-LITEBOX-HINGE)
- Grip Head (LTA-LITEBOX-GRIPHEAD)

	Height		Width		Depth		Weight without LiteTile+ Plus 4		Weight with LiteTile+ Plus 4	
	(in.)	(mm)	(in.)	(mm)	(in.)	(mm)	(lb)	(kg)	(lb)	(kg)
LITEBOX 4X4-1 KIT with DIFFUSION	46.5	1182	46.5	1182	1	25	4.8	2.2	14.8	6.7
LITEBOX 4X4-6 KIT with DIFFUSION and SIDE PANELS	46.75	1187	46.75	1187	6	152	11.6	5.3	20	9.1

LITEGEAR, INC.

Hours: Monday-Friday 8AM-4:30PM (PST)
 Tel: +1 818 358-8542 • SMS: +1 818 495-0600
 Email: info@litegear.com or support@litegear.com
 Web: www.litegear.com

LITEBOX 2X4

LITEBOX 4X4

LITEBOX 2X8

LITEBOX 4X8



LITEBOX 2X4-6" PHOTOMETRIC SPECIFICATIONS (IMPERIAL/METRIC) — WITH QUARTER DIFFUSION

CCT	CRI	TLCI	Lumens	fc @ 72 in.	fc @ 96 in.	fc @ 120 in.	fc @ 144 in.	fc @ 168 in.	fc @ 192 in.	fc @ 216 in.	fc @ 240 in.
2600~6200	95+	95+	20384	245	138	88	61.1	44.9	34.4	27.2	22
CCT	CRI	TLCI	Lumens	Lux @ 183 cm	Lux @ 244 cm	Lux @ 305 cm	Lux @ 366 cm	Lux @ 427 cm	Lux @ 488 cm	Lux @ 549 cm	Lux @ 610 cm
2600~6200	95+	95+	20384	2632	1481	948	658	483	370	292	237

LITEBOX 2X4-6" BEAM SPREAD (IMPERIAL/METRIC) — WITH QUARTER DIFFUSION

Beam Size H x W (in.)	242 x 244	323 x 326	403 x 407	484 x 489	565 x 570	645 x 652	726 x 733	807 x 815
Distance (in.)	72	96	120	144	168	192	216	240
Beam Size H x W (cm)	615 x 621	820 x 828	1025 x 1035	1230 x 1242	1435 x 1449	1639 x 1656	1844 x 1863	2049 x 2070
Distance (cm)	183	244	305	366	427	488	549	610

LITEBOX 2X4-6" PHOTOMETRIC SPECIFICATIONS (IMPERIAL/METRIC) — WITH HALF DIFFUSION

CCT	CRI	TLCI	Lumens	fc @ 72 in.	fc @ 96 in.	fc @ 120 in.	fc @ 144 in.	fc @ 168 in.	fc @ 192 in.	fc @ 216 in.	fc @ 240 in.
2600~6200	95+	95+	20384	221	124	79.5	55.2	40.6	31.1	24.5	19.9
CCT	CRI	TLCI	Lumens	Lux @ 183 cm	Lux @ 244 cm	Lux @ 305 cm	Lux @ 366 cm	Lux @ 427 cm	Lux @ 488 cm	Lux @ 549 cm	Lux @ 610 cm
2600~6200	95+	95+	20384	2377	1337	856	594	437	334	264	214

LITEBOX 2X4-6" BEAM SPREAD (IMPERIAL/METRIC) — WITH HALF DIFFUSION

Beam Size H x W (in.)	242 x 244	323 x 326	403 x 407	484 x 489	565 x 570	645 x 652	726 x 733	807 x 815
Distance (in.)	72	96	120	144	168	192	216	240
Beam Size H x W (cm)	615 x 621	820 x 828	1025 x 1035	1230 x 1242	1435 x 1449	1639 x 1656	1844 x 1863	2049 x 2070
Distance (cm)	183	244	305	366	427	488	549	610

LITEBOX 2X4-6" PHOTOMETRIC SPECIFICATIONS (IMPERIAL/METRIC) — WITH FULL DIFFUSION

CCT	CRI	TLCI	Lumens	fc @ 72 in.	fc @ 96 in.	fc @ 120 in.	fc @ 144 in.	fc @ 168 in.	fc @ 192 in.	fc @ 216 in.	fc @ 240 in.
2600~6200	95+	95+	20384	158	89	57	39.6	29.1	22.3	17.6	14.2
CCT	CRI	TLCI	Lumens	Lux @ 183 cm	Lux @ 244 cm	Lux @ 305 cm	Lux @ 366 cm	Lux @ 427 cm	Lux @ 488 cm	Lux @ 549 cm	Lux @ 610 cm
2600~6200	95+	95+	20384	1704	959	613	426	313	240	189	153

LITEBOX 2X4-6" BEAM SPREAD (IMPERIAL/METRIC) — WITH FULL DIFFUSION

Beam Size H x W (in.)	242 x 244	323 x 326	403 x 407	484 x 489	565 x 570	645 x 652	726 x 733	807 x 815
Distance (in.)	72	96	120	144	168	192	216	240
Beam Size H x W (cm)	615 x 621	820 x 828	1025 x 1035	1230 x 1242	1435 x 1449	1639 x 1656	1844 x 1863	2049 x 2070
Distance (cm)	183	244	305	366	427	488	549	610

Photometric Values for LiteBox 4X4-1" deep frame are as follows:

Quarter Diffusion - 23% increased light output (0.23 f-Stop increase) vs. values listed above.

Half Diffusion - 28% increased light output (0.28 f-Stop increase) vs. values listed above.

Full Diffusion - 42% increased light output (0.42 f-Stop increase) vs. values listed above.

All measurements obtained using two LiteTile+ Plus 4 fixtures in the vertical position connected to a LiteDimmer+ Plus AC400 DMX at full brightness under lab conditions.

LITEGEAR, INC.

Hours: Monday-Friday 8AM-4:30PM (PST)

Tel: +1 818 358-8542 • SMS: +1 818 495-0600

Email: info@litegear.com or support@litegear.com

Web: www.litegear.com



© 2017 LITEGEAR, INC. All rights reserved. LiteRibbon® and FauxFlo® are registered trademarks of LiteGear, Inc.
 © 2017 LITEGEAR, INC. All rights reserved. LiteGear™, LiteMat™, LiteDimmer™, LiteStix™, E-Control™, Hybrid™, Chroma™, Chroma-Correct™, LiteTile™, LiteBox™, LiteCloth™, CineHue™, CineMitter™, Cine Chroma™, Cine Series™, Studio Series™, Cine Hybrid™, Studio Hybrid™, FauxRes™, LiteEngine™, LiteNet™, LitePower™, LiteTenna™, QuickLinX™, TrueHybrid™, Vibrant Colors, Beautifully Saturated™, Stardust™, and MapLite™ are trademarks of LiteGear, Inc.
 VELCRO® is a registered trademark of Velcro BVBA