

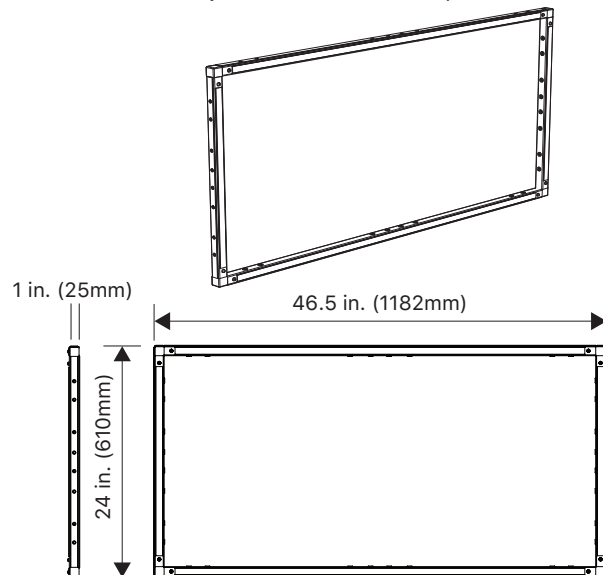
LITEBOX™ 2X4

MODEL - LITEBOX™ 2X4, LED LIGHTING FRAME SYSTEM FOR CINEMA, TV, AND VIDEO



LITEBOX is the perfect accessory for the LiteTile+ Plus. This modular system is designed to mount a LiteTile+ Plus 4 to a lightweight rigid frame and then have the option of diffusing the LEDs at 1 inch (2.5 cm) or 6 inches (15 cm) away. LiteBox comes with the same three, familiar diffusers as LiteMat and opaque fabric sides to eliminate spill light when used in the 6-inch deep version. For rigging, LiteBox is surrounded by 1/4"-20 threaded inserts and comes with a 5/8" baby pin adapters.

LITEBOX 2X4-1 KIT (LTA-LITEBOX-2X4-BOX1)



LITEBOX 2X4-1 KIT INCLUDES:

FRAME SYSTEM

- (2) 48" LiteBox Tube (LTA-LITEBOX-TUBE-48)
- (2) 24" LiteBox Tube (LTA-LITEBOX-TUBE-24)
- (4) 2-Way Corner (LTA-LITEBOX-CORNER-2WAY)

DIFFUSION

- (1) Full Diffusion (LTA-LITEBOX-DIFF-4824-F)
- (1) Half Diffusion (LTA-LITEBOX-DIFF-4824-H)
- (1) Quarter Diffusion (LTA-LITEBOX-DIFF-4824-Q)

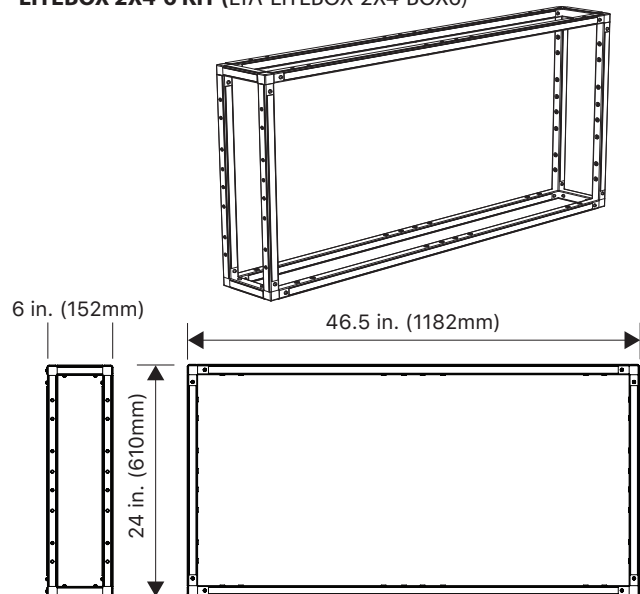
MOUNTING

- (2) Mount with Baby Pin (LTA-LITEBOX-BABY)

OPTIONAL ACCESSORIES:

- LiteTile+ Plus 4 (LT-PLUS-FOUR-HY-TILE)
- 2' x 4' Snapgrid (LTA-LITEBOX-2X4-LC-SNAPGRID40)
- RAM Mount (LTA-LITEBOX-RAM)
- Hinge (LTA-LITEBOX-HINGE)
- Grip Head (LTA-LITEBOX-GRIPHEAD)

LITEBOX 2X4-6 KIT (LTA-LITEBOX-2X4-BOX6)



LITEBOX 2X4-6 KIT INCLUDES:

FRAME SYSTEM

- (4) 48" LiteBox Tube (LTA-LITEBOX-TUBE-48)
- (4) 24" LiteBox Tube (LTA-LITEBOX-TUBE-24)
- (4) 6" LiteBox Tube (LTA-LITEBOX-TUBE-6)
- (8) 3-Way Corner, (4) Y, (4) W (LTA-LITEBOX-CORNER-3WAY)

4DIFFUSION

- (1) Full Diffusion (LTA-LITEBOX-DIFF-4824-F)
- (1) Half Diffusion (LTA-LITEBOX-DIFF-4824-H)
- (1) Quarter Diffusion (LTA-LITEBOX-DIFF-4824-Q)

MOUNTING

- (2) Mount with Baby Pin (LTA-LITEBOX-BABY)

SIDES

- (2) 48" x 6" Solid Side Panels (LTA-LITEBOX-SIDE-4806-SOLID)
- (2) 24" x 6" Solid Side Panels (LTA-LITEBOX-SIDE-2406-SOLID)

OPTIONAL ACCESSORIES:

- LiteTile+ Plus 4 (LT-PLUS-FOUR-HY-TILE)
- 2' x 4' Snapgrid (LTA-LITEBOX-2X4-LC-SNAPGRID40)
- RAM Mount (LTA-LITEBOX-RAM)
- Hinge (LTA-LITEBOX-HINGE)
- Grip Head (LTA-LITEBOX-GRIPHEAD)

	Height		Width		Depth		Weight without LiteTile+ Plus 4		Weight with LiteTile+ Plus 4	
	(in.)	(mm)	(in.)	(mm)	(in.)	(mm)	(lb)	(kg)	(lb)	(kg)
LITEBOX 2X4-1 KIT with DIFFUSION	24	610	46.5	1182	1	25	3.6	1.6	8.2	3.7
LITEBOX 2X4-6 KIT with DIFFUSION and SIDE PANELS	24.25	616	46.75	1187	6	152	8.2	3.7	12.6	5.7

LITEGEAR, INC.


Hours: Monday-Friday 8AM-4:30PM (PST)
 Tel: +1 818 358-8542 • SMS: +1 818 495-0600
 Email: info@litegear.com or support@litegear.com
 Web: www.litegear.com



LITEBOX 2X4-6" PHOTOMETRIC SPECIFICATIONS (IMPERIAL/METRIC) — WITH QUARTER DIFFUSION

CCT	CRI	TLCI	Lumens	fc @ 72 in.	fc @ 96 in.	fc @ 120 in.	fc @ 144 in.	fc @ 168 in.	fc @ 192 in.	fc @ 216 in.	fc @ 240 in.
2600~6200	95+	95+	10192	136	76.3	48.8	33.9	24.9	19.1	15.1	12.2
CCT	CRI	TLCI	Lumens	Lux @ 183 cm	Lux @ 244 cm	Lux @ 305 cm	Lux @ 366 cm	Lux @ 427 cm	Lux @ 488 cm	Lux @ 549 cm	Lux @ 610 cm
2600~6200	95+	95+	10192	1460	821	526	365	268	205	162	131


LITEBOX 2X4-6" BEAM SPREAD (IMPERIAL/METRIC) — WITH QUARTER DIFFUSION

Beam Size H x W (in.)	222 x 206	296 x 274	370 x 343	443 x 411	517 x 480	591 x 548	665 x 617	739 x 686
Distance (in.)	72	96	120	144	168	192	216	240
								
Beam Size H x W (cm)	563 x 522	751 x 696	939 x 871	1126 x 1045	1314 x 1219	1502 x 1393	1690 x 1567	1877 x 1741
Distance (cm)	183	244	305	366	427	488	549	610

LITEBOX 2X4-6" PHOTOMETRIC SPECIFICATIONS (IMPERIAL/METRIC) — WITH HALF DIFFUSION

CCT	CRI	TLCI	Lumens	fc @ 72 in.	fc @ 96 in.	fc @ 120 in.	fc @ 144 in.	fc @ 168 in.	fc @ 192 in.	fc @ 216 in.	fc @ 240 in.
2600~6200	95+	95+	10192	125	70.3	45	31.2	23	17.6	13.9	11.2
CCT	CRI	TLCI	Lumens	Lux @ 183 cm	Lux @ 244 cm	Lux @ 305 cm	Lux @ 366 cm	Lux @ 427 cm	Lux @ 488 cm	Lux @ 549 cm	Lux @ 610 cm
2600~6200	95+	95+	10192	1345	757	484	336	247	189	150	121


LITEBOX 2X4-6" BEAM SPREAD (IMPERIAL/METRIC) — WITH HALF DIFFUSION

Beam Size H x W (in.)	222 x 206	296 x 274	370 x 343	443 x 411	517 x 480	591 x 548	665 x 617	739 x 686
Distance (in.)	72	96	120	144	168	192	216	240
								
Beam Size H x W (cm)	563 x 522	751 x 696	939 x 871	1126 x 1045	1314 x 1219	1502 x 1393	1690 x 1567	1877 x 1741
Distance (cm)	183	244	305	366	427	488	549	610

LITEBOX 2X4-6" PHOTOMETRIC SPECIFICATIONS (IMPERIAL/METRIC) — WITH FULL DIFFUSION

CCT	CRI	TLCI	Lumens	fc @ 72 in.	fc @ 96 in.	fc @ 120 in.	fc @ 144 in.	fc @ 168 in.	fc @ 192 in.	fc @ 216 in.	fc @ 240 in.
2600~6200	95+	95+	10192	84.2	47.4	30.3	21.1	15.5	11.8	9.4	7.6
CCT	CRI	TLCI	Lumens	Lux @ 183 cm	Lux @ 244 cm	Lux @ 305 cm	Lux @ 366 cm	Lux @ 427 cm	Lux @ 488 cm	Lux @ 549 cm	Lux @ 610 cm
2600~6200	95+	95+	10192	907	510	326	227	167	128	101	81.6

LITEBOX 2X4-6" BEAM SPREAD (IMPERIAL/METRIC) — WITH FULL DIFFUSION

Beam Size H x W (in.)	222 x 218	296 x 290	370 x 363	443 x 435	517 x 508	591 x 580	665 x 653	739 x 725
Distance (in.)	72	96	120	144	168	192	216	240
								
Beam Size H x W (cm)	563 x 553	751 x 737	939 x 921	1216 x 1105	1314 x 1289	1502 x 1474	1690 x 1658	1877 x 1842
Distance (cm)	183	244	305	366	427	488	549	610

Photometric Values for LiteBox2X4-1" deep frame are as follows:

Quarter Diffusion - 23% increased light output (0.23 f-Stop increase) vs. values listed above.

Half Diffusion - 28% increased light output (0.28 f-Stop increase) vs. values listed above.

Full Diffusion - 42% increased light output (0.42 f-Stop increase) vs. values listed above.

All measurements obtained using one LiteTile+ Plus 4 fixture in the vertical position connected to a LiteDimmer+ Plus AC400 DMX at full brightness under lab conditions.

LITEGEAR, INC.

Hours: Monday-Friday 8AM-4:30PM (PST)

Tel: +1 818 358-8542 • SMS: +1 818 495-0600

Email: info@litegear.com or support@litegear.com

Web: www.litegear.com



© 2017 LITEGEAR, INC. All rights reserved. LiteRibbon® and FauxFlo® are registered trademarks of LiteGear, Inc.
 © 2017 LITEGEAR, INC. All rights reserved. LiteGear™, LiteMat™, LiteDimmer™, LiteStix™, E-Control™, Hybrid™, Chroma™, Chroma-Correct™, LiteTile™, LiteBox™, LiteCloth™, CineHue™, CineMitter™, Cine Chroma™, Cine Series™, Studio Series™, Cine Hybrid™, Studio Hybrid™, FauxRes™, LiteEngine™, LiteNet™, LitePower™, LiteTenna™, QuickLinX™, TrueHybrid™, Vibrant Colors, Beautifully Saturated™, Stardust™, and MapLite™ are trademarks of LiteGear, Inc.
 VELCRO® is a registered trademark of Velcro BVBA