

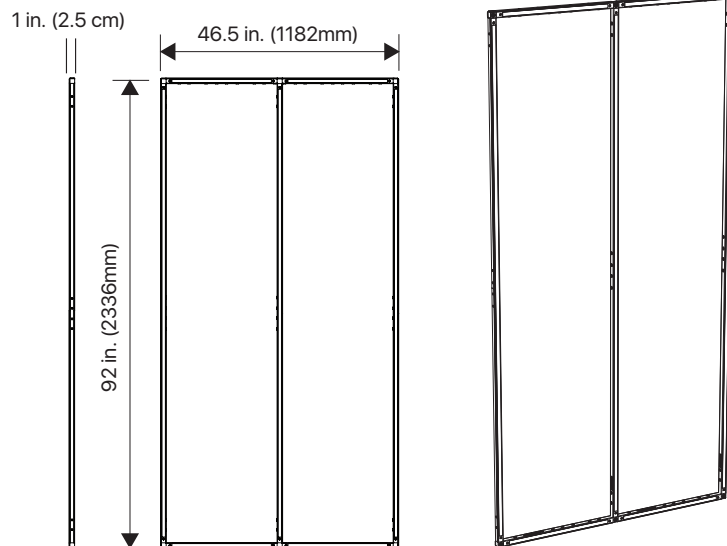
LITEBOX™ 4X8

MODEL - LITEBOX™ 4X8, LED LIGHTING FRAME SYSTEM FOR CINEMA, TV AND VIDEO



LITEBOX is the perfect accessory for the LiteTile+ Plus. This modular system is designed to mount two LiteTile+ Plus 8 to a lightweight rigid frame and then have the option of diffusing the LEDs at 1 inch (2.5 cm) or 6 inches (15 cm) away. LiteBox comes with the same three, familiar diffusers as LiteMat and opaque fabric sides to eliminate spill light when used in the 6-inch deep version. For rigging, LiteBox is surrounded by 1/4"-20 threaded inserts and comes with an optional 5/8" baby pin adapter or grip head mounts.

LITEBOX 4X8 -1 KIT (LTA-LITEBOX-4X8-BOX1)



LITEBOX 4X8-1 KIT INCLUDES:

FRAME SYSTEM

- (3) 92" LiteBox Tube (LTA-LITEBOX-EXTRUSION-92)
- (4) 24" LiteBox Tube (LTA-LITEBOX-EXTRUSION-24)
- (4) 2-Way Corner (LTA-LITEBOX-CORNER-2WAY)
- (2) 2-Way Tee (LTA-LITEBOX-TEE-2WAY)

DIFFUSION

- (1) Full Diffusion (LTA-LITEBOX-DIFF-9648-F)
- (1) Half Diffusion (LTA-LITEBOX-DIFF-9648-H)
- (1) Quarter Diffusion (LTA-LITEBOX-DIFF-9648-Q)

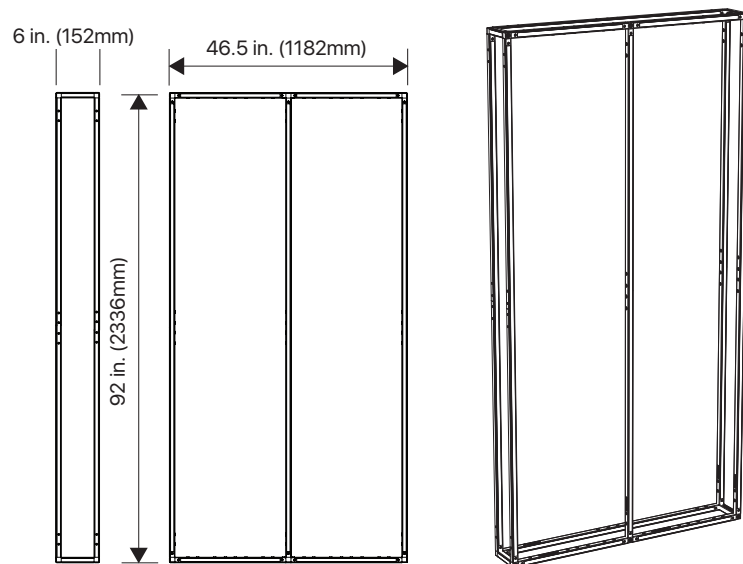
MOUNTING

- (2) Mount with Baby Pin (LTA-LITEBOX-BABY)

OPTIONAL ACCESSORIES:

- LiteTile 2X8 (LT-PLUS-EIGHT-HY-TILE)
- 4' x 8 SnapGrid (LTA-LITEBOX-4X8-LC-SNAPGRID40)
- Ram Mount (LTA-LITEBOX-RAM)
- Hinge (LTA-LITEBOX-HINGE)
- Grip Head (LTA-LITEBOX-GRIPHEAD)

LITEBOX 4X8 -6 KIT (LTA-LITEBOX-4X8-BOX6)



LITEBOX 4X8-6 KIT INCLUDES:

FRAME SYSTEM

- (5) 92" LiteBox Tube (LTA-LITEBOX-EXTRUSION-92)
- (2) 48" LiteBox Tube (LTA-LITEBOX-EXTRUSION-48)
- (4) 24" LiteBox Tube (LTA-LITEBOX-EXTRUSION-24))
- (4) 6" LiteBox Tube (LTA-LITEBOX-EXTRUSION-6)
- (8) 3-Way Corner (LTA-LITEBOX-CORNER-3WAY)
- (2) 2-Way Tee (LTA-LITEBOX-TEE-2WAY)

DIFFUSION

- (1) Full Diffusion (LTA-LITEBOX-DIFF-9248-F)
- (1) Half Diffusion (LTA-LITEBOX-DIFF-9248-H)
- (1) Quarter Diffusion (LTA-LITEBOX-DIFF-9248-Q)

MOUNTING

- (2) Mount with Baby Pin (LTA-LITEBOX-BABY)

SIDES

- (2) 92" x 6" Solid Side Panels (LTA-LITEBOX-SIDE-9206-SOLID)
- (2) 48" x 6" Solid Side Panels (LTA-LITEBOX-SIDE-4806-SOLID)

OPTIONAL ACCESSORIES:

- LiteTile 2X8 (LT-PLUS-EIGHT-HY-TILE)
- 4' x 8' SnapGrid (LTA-LITEBOX-4X8-LC-SNAPGRID40)
- Ram Mount (LTA-LITEBOX-RAM)
- Hinge (LTA-LITEBOX-HINGE)
- Grip Head (LTA-LITEBOX-GRIPHEAD)

	Height		Width		Depth		Weight without LiteTile+ Plus 8		Weight with LiteTile+ Plus 8	
	(in.)	(mm)	(in.)	(mm)	(in.)	(mm)	(lb)	(kg)	(lb)	(kg)
LITEBOX 4X8 -1 KIT with DIFFUSION	46.5	1182	92	2336	1	25	7	3.2	24.2	11
LITEBOX 4X8 -6 KIT with DIFFUSION and SIDE PANELS	46.75	1187	92.25	2343	6	152	17	7.7	31.8	14.4

LITEGEAR, INC.

Hours: Monday-Friday 8AM-4:30PM (PST)
 Tel: +1 818 358-8542 SMS: +1 818 495-0600
 Email: info@litegear.com or support@litegear.com
 Web: www.litegear.com



LITEBOX™ 4X8

MODEL - LITEBOX™ 4X8, CINEMA/TELEVISION LED LIGHTING FRAME SYSTEM




LITEGEAR

LITEBOX 4X8-6" PHOTOMETRIC SPECIFICATIONS (IMPERIAL/METRIC) — WITH QUARTER DIFFUSION

CCT	CRI	TLCI	Lumens	fc @ 72 in.	fc @ 96 in.	fc @ 120 in.	fc @ 144 in.	fc @ 168 in.	fc @ 192 in.	fc @ 216 in.	fc @ 240 in.
2600~6200	95+	95+	40768	588	331	212	147	108	82.7	65.4	53
CCT	CRI	TLCI	Lumens	Lux @ 183 cm	Lux @ 244 cm	Lux @ 305 cm	Lux @ 366 cm	Lux @ 427 cm	Lux @ 488 cm	Lux @ 549 cm	Lux @ 610 cm
2600~6200	95+	95+	40768	6333	3563	2280	1583	1163	891	704	570

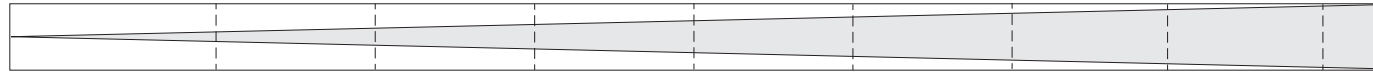
LITEBOX 4X8-6" BEAM SPREAD (IMPERIAL/METRIC) — WITH QUARTER DIFFUSION

Beam Size H x W (in.)	210 x 206	279 x 274	349 x 343	419 x 411	489 x 480	559 x 548	629 x 617	698 x 686
Distance (in.)	72	96	120	144	168	192	216	240
								
Beam Size H x W (cm)	532 x 522	710 x 696	887 x 871	1064 x 1045	1242 x 1219	1419 x 1393	1597 x 1567	1774 x 1741
Distance (cm)	183	244	305	366	427	488	549	610

LITEBOX 4X8-6" PHOTOMETRIC SPECIFICATIONS (IMPERIAL/METRIC) — WITH HALF DIFFUSION

CCT	CRI	TLCI	Lumens	fc @ 72 in.	fc @ 96 in.	fc @ 120 in.	fc @ 144 in.	fc @ 168 in.	fc @ 192 in.	fc @ 216 in.	fc @ 240 in.
2600~6200	95+	95+	40768	543	305	196	136	100	76.3	60.3	48.9
CCT	CRI	TLCI	Lumens	Lux @ 183 cm	Lux @ 244 cm	Lux @ 305 cm	Lux @ 366 cm	Lux @ 427 cm	Lux @ 488 cm	Lux @ 549 cm	Lux @ 610 cm
2600~6200	95+	95+	40768	5844	3287	2104	1461	1073	822	649	526

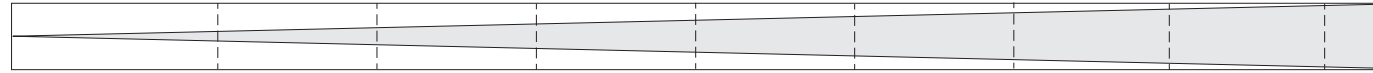
LITEBOX 4X8-6" BEAM SPREAD (IMPERIAL/METRIC) — WITH HALF DIFFUSION

Beam Size H x W (in.)	210 x 206	279 x 274	349 x 343	419 x 411	489 x 480	559 x 548	629 x 617	698 x 686
Distance (in.)	72	96	120	144	168	192	216	240
								
Beam Size H x W (cm)	532 x 522	710 x 696	887 x 871	1064 x 1045	1242 x 1219	1419 x 1393	1597 x 1567	1774 x 1741
Distance (cm)	183	244	305	366	427	488	549	610

LITEBOX 4X8-6" PHOTOMETRIC SPECIFICATIONS (IMPERIAL/METRIC) — WITH FULL DIFFUSION

CCT	CRI	TLCI	Lumens	fc @ 72 in.	fc @ 96 in.	fc @ 120 in.	fc @ 144 in.	fc @ 168 in.	fc @ 192 in.	fc @ 216 in.	fc @ 240 in.
2600~6200	95+	95+	40768	393	221	142	98.4	72.3	55.3	43.7	35.4
CCT	CRI	TLCI	Lumens	Lux @ 183 cm	Lux @ 244 cm	Lux @ 305 cm	Lux @ 366 cm	Lux @ 427 cm	Lux @ 488 cm	Lux @ 549 cm	Lux @ 610 cm
2600~6200	95+	95+	40768	4235	2382	1525	1059	778	596	471	381

LITEBOX 4X8-6" BEAM SPREAD (IMPERIAL/METRIC) — WITH FULL DIFFUSION

Beam Size H x W (in.)	210 x 206	279 x 274	349 x 343	419 x 411	489 x 480	559 x 548	629 x 617	698 x 686
Distance (in.)	72	96	120	144	168	192	216	240
								
Beam Size H x W (cm)	532 x 522	710 x 696	887 x 871	1064 x 1045	1242 x 1219	1419 x 1393	1597 x 1567	1774 x 1741
Distance (cm)	183	244	305	366	427	488	549	610

Photometric Values for LiteBox 1" deep frame are as follows:

Quarter Diffusion - 23% increased light output (0.23 f-Stop increase) vs. values listed above.

Half Diffusion - 28% increased light output (0.28 f-Stop increase) vs. values listed above.

Full Diffusion - 42% increased light output (0.42 f-Stop increase) vs. values listed above.

All measurements obtained using two LiteTile+ Plus 8 fixtures in the vertical position connected to a LiteDimmer+ Plus AC400 DMX at full brightness under lab conditions.

LITEGEAR, INC.

Hours: Monday-Friday 8AM-4:30PM (PST)

Tel: +1 818 358-8542 SMS: +1 818 495-0600

Email: info@litegear.com or support@litegear.com

Web: www.litegear.com



© 2017 LITEGEAR, INC. All rights reserved. LiteRibbon® and FauxFlo® are registered trademarks of LiteGear, Inc.
 © 2017 LITEGEAR, INC. All rights reserved. LiteGear™, LiteMat™, LiteDimmer™, LiteStix™, E-Control™, Hybrid™, Chroma™, Chroma-Correct™, LiteTile™, LiteBox™, LiteCloth™, CineHue™, CineMitter™, Cine Chroma™, Cine Series™, Studio Series™, Cine Hybrid™, Studio Hybrid™, FauxRes™, LiteEngine™, LiteNet™, LitePower™, LiteTenna™, QuickLinx™, TrueHybrid™, Vibrant Colors, Beautifully Saturated™, Stardust™, and MapLite™ are trademarks of LiteGear, Inc.
 VELCRO® is a registered trademark of Velcro BVBA